



DEPARTMENT OF REGULATORY AND ECONOMIC RESOURCES (RER)  
BOARD AND CODE ADMINISTRATION DIVISION

MIAMI-DADE COUNTY  
PRODUCT CONTROL SECTION  
11805 SW 26 Street, Room 208  
Miami, Florida 33175-2474  
T (786) 315-2590 F (786) 315-2599  
[www.miamidade.gov/economy](http://www.miamidade.gov/economy)

## NOTICE OF ACCEPTANCE (NOA)

**Johns Manville Corporation**  
717 17th Street  
Denver, CO 80202

### SCOPE:

This NOA is being issued under the applicable rules and regulations governing the use of construction materials. The documentation submitted has been reviewed and accepted by Miami-Dade County RER - Product Control Section to be used in Miami Dade County and other areas where allowed by the Authority Having Jurisdiction (AHJ).

This NOA shall not be valid after the expiration date stated below. The Miami-Dade County Product Control Section (In Miami Dade County) and/or the AHJ (in areas other than Miami Dade County) reserve the right to have this product or material tested for quality assurance purposes. If this product or material fails to perform in the accepted manner, the manufacturer will incur the expense of such testing and the AHJ may immediately revoke, modify, or suspend the use of such product or material within their jurisdiction. RER reserves the right to revoke this acceptance, if it is determined by Miami-Dade County Product Control Section that this product or material fails to meet the requirements of the applicable building code.

This product is approved as described herein, and has been designed to comply with the Florida Building Code including the High Velocity Hurricane Zone of the Florida Building Code.

### DESCRIPTION: Johns Manville Roof Edge Termination Systems

**LABELING:** Each unit shall bear a permanent label with the manufacturer's name or logo, city, state and following statement: "Miami-Dade County Product Control Approved", unless otherwise noted herein.

**RENEWAL** of this NOA shall be considered after a renewal application has been filed and there has been no change in the applicable building code negatively affecting the performance of this product.

**TERMINATION** of this NOA will occur after the expiration date or if there has been a revision or change in the materials, use, and/or manufacture of the product or process. Misuse of this NOA as an endorsement of any product, for sales, advertising or any other purposes shall automatically terminate this NOA. Failure to comply with any section of this NOA shall be cause for termination and removal of NOA.

**ADVERTISEMENT:** The NOA number preceded by the words Miami-Dade County, Florida, and followed by the expiration date may be displayed in advertising literature. If any portion of the NOA is displayed, then it shall be done in its entirety.

**INSPECTION:** A copy of this entire NOA shall be provided to the user by the manufacturer or its distributors and shall be available for inspection at the job site at the request of the Building Official.

This NOA consists of pages 1 through 49.

The submitted documentation was reviewed by Alex Tigera.



NOA No.: 22-0712.15  
Expiration Date: 12/11/23  
Approval Date: 02/23/23  
Page 1 of 49

## ROOFING COMPONENT APPROVAL

**Category:** Roofing  
**Sub-Category:** Roofing Fasteners  
**Materials** Steel

### SCOPE:

This approves roofing components “**Johns Manville Roof Edge Termination Systems**” as described in this Notice of Acceptance. Designed to comply with the Florida Building Code and the High Velocity Hurricane Zone of the Florida Building Code for the locations where the pressure requirements, as determined by applicable building code do not exceed the design pressure values listed herein.

### TRADE NAMES OF PRODUCTS MANUFACTURED OR LABELED BY APPLICANT:

Table 1

<u>Product Name</u>	<u>Dimensions</u>	<u>Test Specification</u>	<u>Product Description</u>
<b>Presto-Lock Coping</b>	<p>Coping:                      Max. 12” Outside Face                      Max. 4” Inside Face                      Max. Width 32” Wall                      Min. Thickness. 24ga.</p> <p>Anchor Clip:                      Max. Width. 12”                      Max. Length 12’                      Min. Thickness 20ga.</p>	TAS 111 (C)	Decorative aluminum coping cap with galvanized steel anchor/support cleats.
<b>Presto-Lock Gold Coping</b>	<p>Coping:                      Max. 12” Outside Face                      Max. 4” Inside Face                      Max. Width 32” Wall                      Max. Length 12’                      Min Thickness. 24ga. or 0.040” aluminum</p> <p>Anchor Clip:                      Max. Width. 12”                      Max. Length 12’                      Min. Thickness 16ga.</p>	TAS 111 (C)	Decorative aluminum coping cap with galvanized steel anchor/support cleats.
<b>Presto-Tite Fascia-Single Ply Version</b>	<p>Max. 8.5” Outside Face                      Max. Length 12’                      Min. Thickness 24ga.,or 0.040” aluminum</p>	TAS 111 (B)	Decorative galvanized steel or aluminum fascia with continuous extruded aluminum bar.
<b>Presto-Tite Fascia-B.U.R./Modified Version</b>	<p>Max. 8.5” Outside Face                      Max. Length 12’                      Min. Thickness 24ga.,or 0.040” aluminum</p>	TAS 111 (B)	Decorative galvanized steel or aluminum fascia with continuous extruded aluminum bar.



**TRADE NAMES OF PRODUCTS MANUFACTURED OR LABELED BY APPLICANT:**

**Table 1**

<u>Product Name</u>	<u>Dimensions</u>	<u>Test Specification</u>	<u>Product Description</u>
<b>Presto-Tite Extended Fascia-Single Ply Version</b>	Max. 13” Outside Face Max. Length 12’ Min. Thickness 0.050” aluminum	TAS 111 (B)	Decorative galvanized steel or aluminum fascia with continuous extruded aluminum bar.
<b>Presto-Tite Extended Fascia-B.U.R./Modified Version</b>	Max. 13” Outside Face Max. Length 12’ Min. Thickness 24 ga. or 0.040” aluminum	TAS 111 (B)	Decorative galvanized steel or aluminum fascia with continuous extruded aluminum bar.
<b>Presto-Tite Extended Canted WD Fascia</b>	Max. 8.5” Outside Face Max. Length 12’ Min. Thickness 24 ga. or 0.040” aluminum	TAS 111 (B)	Decorative galvanized steel or aluminum fascia with continuous extruded aluminum bar.
<b>Presto-Tite Drip Edge</b>	Max. 7.5” Outside Face Max. Length 12’ Min. 0.040” aluminum	TAS 111 (B)	Decorative galvanized steel or aluminum fascia with extruded aluminum bar.
<b>Presto-Tite HG Fascia-Single Ply Version</b>	Max. 10” Outside Face Max. Length 12’ Min. Thickness 22ga or 0.050” aluminum	TAS 111 (B)	Decorative aluminum fascia with continuous extruded aluminum bar.
<b>Presto-Tite HG Fascia-B.U.R./Modified Version</b>	Max. 10” Outside Face Max. Length 12’ Min. Thickness 22ga or 0.050” aluminum	TAS 111 (B)	Decorative aluminum fascia with continuous extruded aluminum bar.
<b>Presto-Tite HG Fascia-Single Ply Version with JM Eliminator-T</b>	Max. 10” Outside Face Max. Length 12’ Min. Thickness 22ga., or 0.050” aluminum	TAS 111 (B)	Decorative aluminum fascia with continuous extruded aluminum bar.
<b>Presto-Tite HG Fascia-B.U.R./Modified Version with JM Eliminator-T</b>	Max. 10” Outside Face Max. Length 12’ Min. Thickness 22ga., or 0.050” aluminum	TAS 111 (B)	Decorative aluminum fascia with continuous extruded aluminum bar.
<b>Presto-Tite Edge One MB Fascia</b>	Max. 8” Outside Face Max. Length 12’ Min. Thickness 24ga., or 0.040” aluminum	TAS 111 (B)	Decorative galvanized steel or aluminum fascia with continuous formed rail.



**TRADE NAMES OF PRODUCTS MANUFACTURED OR LABELED BY APPLICANT:**

**Table 1**

<u>Product Name</u>	<u>Dimensions</u>	<u>Test Specification</u>	<u>Product Description</u>
<b>JM Flash-Thru Drip Edge</b>	Max. 6” Front Face Max 4” Top flange Max. Length 12’ Min. Thickness 24ga.,or 0.040” aluminum	TAS 111 (B)	Decorative galvanized steel or aluminum fascia with continuous formed rail.
<b>JM Drip Edge</b>	Max. 10” Front Face Max. Length 12’ Max 4” Top Flange Min. Thickness 24ga.,or 0.040” aluminum	TAS 111 (B)	Decorative galvanized steel or aluminum fascia with continuous formed rail.
<b>Presto-Tite Edge One SP Fascia</b>	Max. 8” Outside Face Max. Length 12’ Min. Thickness 24ga.,or 0.040” aluminum	TAS 111 (B)	Decorative galvanized steel or aluminum fascia with continuous formed rail.
<b>Presto-Tite Edge One Extended Fascia</b>	Max. 12.5” Outside Face Max. Length 12’ Min. Thickness 0.050” aluminum	TAS 111 (B)	Decorative galvanized steel or aluminum fascia with continuous formed rail.
<b>JM Gravel Stop</b>	Max. 10” Outside Face Max. Length 12’ Max 4” Top Flange Min. Thickness 24ga.,or 0.040” aluminum	TAS 111 (B)	Decorative galvanized steel or aluminum fascia with continuous formed rail.
<b>JM System 200 Fascia, Single Ply, Crimp-On</b>	Max. 12.5” Outside Face Max. Length 12’ Min. Thickness 24ga.,or 0.040” aluminum	TAS 111 (B)	Decorative galvanized steel or aluminum fascia with continuous formed galvanized waterdam.
<b>JM System 200 Fascia, Single Ply, Snap-On</b>	Max. 12.75” Face Height Max. Length 12’ Min. Thickness 24ga., or 0.040” aluminum	TAS 111 (B)	Decorative galvanized steel or aluminum fascia with formed galvanized waterdam.
<b>JM System 300 Fascia, Modified, Snap-On</b>	Max. 12.75” Face Height Max. Length 12’ Min. Thickness 24ga.,or 0.040” aluminum	TAS 111 (B)	Decorative galvanized steel or aluminum fascia with continuous formed galvanized waterdam.



**TRADE NAMES OF PRODUCTS MANUFACTURED OR LABELED BY APPLICANT:**

**Table 1**

<u>Product Name</u>	<u>Dimensions</u>	<u>Test Specification</u>	<u>Product Description</u>
<b>Presto-Lock Flush Face Coping</b>	Max. 12” Outside Face Max. Length 12’ Max. Wall width 32” Inside Face 4” Min. Thickness 24ga. or 0.040” aluminum	TAS 111 (C)	Decorative aluminum or galvanized coping cap with galvanized steel anchor/support cleats.
<b>Presto-Lock Continuous Cleat Coping</b>	Max. 12” Outside Face Max. Length 12’ Max. Wall width 32” Inside Face 4” Min. Thickness 24ga., or 0.040” aluminum	TAS 111 (C)	Decorative aluminum or galvanized coping cap with galvanized steel anchor/support cleats.
<b>Presto-Lock Continuous 16 ga Cleat Coping (Tapered, Flat and Existing Slope)</b>	Max. 6” Outside Face Max. Length 12’ Max. Wall width 32” Max. 4” Inside Face Min. Thickness 0.050” aluminum	TAS 111 (C)	Decorative aluminum coping cap with galvanized steel anchor/support cleats.
<b>Presto-Lock Gold Coping</b>	Max. 10” Outside Face Max. Length 12’ Max. Wall width 24” Max. 4” Inside Face Min. Thickness 24ga. or 0.040” aluminum	TAS 111 (C)	Decorative aluminum or galvanized coping cap with galvanized steel anchor/support cleats.
<b>JM Eliminailer-T</b>	Metal Deck or Masonry Wall: Max. 3” Face Height Max. 5.5” Flange Length Max. Length 12’ Min. Thickness. 0.100” aluminum  Wood Nailer: Max. 3” Face Height Max. 2.5” Flange Length Max. Length 12’ Min. Thickness. 0.080” aluminum	FM 4435	A heavy gauge aluminum nailer replacement or enhancement for wood nailers having a 9/32 x 3/8” predrilled slotted holes spaced 6” o.c.
<b>Presto-Tite Instant Fascia (Galv Cleat)</b>	Maximum length 10’. Maximum face leg 10”	TAS 111 (B)	Two-part assembly with rigid formed retainer and a decorative snap-on fascia cover.



**TRADE NAMES OF PRODUCTS MANUFACTURED OR LABELED BY APPLICANT:**

**Table 1**

<u>Product Name</u>	<u>Dimensions</u>	<u>Test Specification</u>	<u>Product Description</u>
<b>Presto-Tite Instant Fascia (Al Cleat)</b>	Maximum length 10' Maximum face leg 8.25"	TAS 111 (B)	Two-part assembly with rigid formed retainer and a decorative snap-on fascia cover.
<b>JM Edgebox RI</b>	Maximum Length 10' Maximum face leg 4.5" Maximum cap width 5.5"	TAS 111 (B)	An engineered metal replacement system for roof nailers.
<b>JM Extender</b>	Maximum Length 10' Maximum face leg 8"	TAS 111 (B)	System used to extend the coverage of continuous water-tight metal systems. Secured with a continuous cleat.
<b>JM Extender with Offset</b>	Maximum Length 10' Maximum face leg 8"	TAS 111 (B)	System used to extend the coverage of continuous water-tight metal systems. Secured with a continuous cleat.
<b>JM Industrial Box Gutter</b>	Maximum length 10' Maximum face leg 7-3/4"	TAS 111 (B)	Gutters fabricated from either aluminum or prefinished steel.
<b>JM Industrial Offset Gutter</b>	Maximum length 10' Maximum face leg 7-3/4"	TAS 111 (B)	Gutters fabricated from either aluminum or prefinished steel.

**EVIDENCE SUBMITTED:**

<u>Test Agency</u>	<u>Test Identifier</u>	<u>Test Name/Report</u>	<u>Date</u>
Intertek ETL Semko	3032125	TAS 111(B)	10/31/02
		TAS 111(C)	10/31/02
	3033767	TAS 111 (B)	10/31/02
	3033767 Addendum	TAS 111 (B)	10/02/03
Farabaugh Engineering and Testing, Inc.	T295-16	TAS 111 (C)	11/02/16
	T294-16	TAS 111 (C)	11/02/16
	T291-16	TAS 111 (B)	11/02/16
Factory Mutual Research Corp.	3052487	FM 4435	08/17/16
	PR449542	FM 4435	10/02/18
	3062924	FM 4435	04/17/19

**MANUFACTURING LOCATION**

1. Waukesha, WI.



## **INSTALLATION:**

### **Presto-Lock Coping (14”):**

Perma-Tite Anchor clips shall be spaced a maximum of three feet o.c. Anchor clips shall be fastened with #10 x 1-1/2” hex head screws fastened through the third hole of the top portion of the anchor clip the side where the stainless-steel spring clip is located (see detail “A” herein). And with two additional 1-1/4” annular ring shank nail fastened in the provided holes on the opposite face at a maximum of 3” up from the bottom lip (see detail “A” herein).

**Maximum Design Pressure: -168.5 psf. (vertical)**

### **Presto-Lock Coping (16”):**

Perma-Tite Anchor clips shall be spaced a maximum of three feet O.C. Anchor clips shall be fastened with #10-12 s 1-1/2” long S.S. hex head screws with 1/2” washer. One fastener located in third full hole from bend on both sides of 12” wide anchor clip on inside face and outside face of coping. In addition, one fastener #14-12 x 1-1/2” long flat head screw located in hole closest to center of wood blocking on both sides of 12” anchor clip on inside wall of coping and one fastener #14-12 x 1-1/2” long flat head screw in fifth hold from bottom of drip edge on both sides of 12” wide anchor clip (see detail “B” herein).

**Maximum Design Pressure: -301.7 psf. (horizontal); -261.5 psf. (vertical)**

### **Presto-Lock Gold Coping:**

Perma-Tite Anchor clips shall be spaced a maximum of three feet O.C. Anchor clips shall be fastened with #10-12 s 1-1/2” long S.S. hex head screws with 1/2” washer. One fastener located in third full hole from bend on both sides of 12” wide anchor clip on inside face and outside face of coping. In addition, one fastener #14-12 x 1-1/2” long flat head screw located in hole closest to center of wood blocking on both sides of 12” anchor clip on inside wall of coping and one fastener #14-12 x 1-1/2” long flat head screw in fifth hold from bottom of drip edge on both sides of 12” wide anchor clip (see detail “C” herein).

**Maximum Design Pressure: -368.3 psf. (horizontal); -242.8 psf. (vertical)**



<b>Presto-Tite Fascia-Single Ply Version</b>	TAS 111 (B)	Decorative galvanized steel or aluminum fascia with continuous extruded aluminum bar.
<b>Presto-Tite Fascia-B.U.R./Modified Version</b>	TAS 111 (B)	Decorative galvanized steel or aluminum fascia with continuous extruded aluminum bar.

**Presto-Tite Fascia-Single Ply Version or B.U.R./Modified Version**

- For Face Height less than or equal to 5.5 in (140 mm): The anchor bar is secured to the wood nailer with #10-2.0 in (51 mm) long or #14 stainless steel screws (wood substrates only) or masonry screws (wood or masonry substrates) with washer secured on the vertical face with the fasteners spaced 12 in (305 mm) o.c. approximately 1.25 in (32 mm) down from top of anchor bar.
- For Face Heights less than or equal to 8.5 in (216 mm) The anchor bar is secured to the wood nailer with #10-2.0 in (51 mm) long or #14 stainless steel screws (wood substrates only) or masonry screws (wood or masonry substrates) secured on the vertical face in one row only. The top row of fasteners is spaced 12 in (305 mm) o.c. approximately 1.25 in (32 mm) from the top of the anchor bar.
- For Face Heights greater than 5.5 in (140 mm) and less than or equal to 8.5 in (216 mm) The anchor bar is secured to the wood nailer with #10-2.0 in (51 mm) long or #14 stainless steel screws (wood substrates only) or masonry screws (wood or masonry substrates) secured on the vertical face in two rows. The top row of fasteners is spaced 12 in (305 mm) o.c. approximately 1.25 in (32 mm) from the top of the anchor bar. The bottom row of fasteners is spaced 24 in (610 mm) o.c. approximately 2.75 in (70 mm) from top of the anchor bar. The rows are staggered
- Fascia cover is installed over the anchor bar.

Material	Max Face Height (in.)	Perimeter Pressure (psf.)		Corner Pressure (psf.)	
		Horizontal	Vertical	Horizontal	Vertical
0.040in. Alum [Fascia Cover]	5.5	262	454	272	570
0.040in. Alum [Fascia Cover]	8.5 [fastening only (1) row]	146	252	145	304
0.040in. Alum [Fascia Cover]	5.5 [fastening (2) rows]	175	302	163	342
0.040in. Alum [Fascia Cover]	8.5 fastening (2) rows]	175	302	163	342
24ga. Steel [Fascia Cover]	5.5	262	454	272	570
24ga. Steel [Fascia Cover]	8.5 [fastening only (1) row]	146	252	145	304
24ga. Steel [Fascia Cover]	5.5 [fastening (2) rows]	175	302	163	342
24ga. Steel [Fascia Cover]	8.5 [fastening (2) rows]	175	302	163	342





<b>Presto-Tite Extended Fascia-Single Ply Version</b>	TAS 111 (B)	Decorative galvanized steel or aluminum fascia with continuous extruded aluminum bar.
<b>Presto-Tite Extended Fascia-B.U.R./Modified Version</b>	TAS 111 (B)	Decorative galvanized steel or aluminum fascia with continuous extruded aluminum bar.

**Presto-Tite Extended Fascia-Single Ply Version or B.U.R./Modified Version**

- The anchor bar is secured to the wood nailer with #10-2.0 in (51 mm) long or #14 stainless steel screws (wood substrates only) or masonry screws (wood or masonry substrates) secured on the vertical face with the fasteners spaced maximum 12 in (305 mm) o.c. approximately 1.25 in (32 mm) down from the top anchor bar.
- The cleat is secured to the wood nailer with #14 stainless steel screws (wood substrates only) or masonry screws (wood or masonry substrates) secured on the vertical face with the fasteners spaced maximum 24 in (610 mm) o.c. approximately 2.125 (54 mm) o.c. up from the bottom of the cleat
- Fascia cover is applied over the anchor bar.

Material	Max Face Height (in.)	Perimeter Pressure (psf.)		Corner Pressure (psf.)	
		Horizontal	Vertical	Horizontal	Vertical
0.050in. Alum [Fascia Cover]	13	175	302	163	342
0.063in. Alum [Fascia Cover]	13	175	303	163	342
20ga. Steel [Cleat]	13	175	303	163	342



<b>Presto-Tite Extended Canted WD Fascia</b>	TAS 111 (B)	Decorative galvanized steel or aluminum fascia with continuous extruded aluminum bar.
--	-------------	---

**Presto-Tite Extended Canted WD Fascia**

- The waterdam is secured to wood nailers with 1.25 in (32 mm) long ring shank roofing nails spaced maximum 6 in (152 mm) o.c. 0.5 in (13 mm) from edge of roof flange or secured to the JM Eliminailer T using 4 in. (102 mm) wide 24 ga clips 72 in (1829 mm) o.c.
- The anchor bar is secured to the wood nailer with #10-2.0 in (51 mm) long or #14 stainless steel screws (wood substrates only) or masonry screws (wood or masonry substrates), or Tek 3 x 1 in (76 x 25 mm) long (JM Eliminailer T) secured on the vertical face with the fasteners spaced 12 in (305 mm) o.c. approximately 1.25 in (32 mm) from the top anchor bar.
- The cleat is secured to the wood nailer with 1/4 x 1 1/4 masonry/wood screws secured on the vertical face with the fasteners spaced maximum 24 in (610 mm) o.c. approximately 2.0 (51 mm) o.c. up from the bottom of the cleat
- Fascia cover is snapped into place.

Material	Max Face Height (in.)	Perimeter Pressure (psf.)		Corner Pressure (psf.)	
		Horizontal	Vertical	Horizontal	Vertical
0.040in. Alum [Fascia Cover]	5.5	175	302	163	342
0.050in. Alum [Fascia Cover]	8.5	291	504	289	607
0.050in. Alum [Fascia Cover]	10	204	353	199	417
0.050in. Alum [Fascia Cover]	13.5	131	227	127	266
0.063in. Alum [Fascia Cover]	8.5	291	504	289	607
0.063in. Alum [Fascia Cover]	10	204	353	199	417
0.063in. Alum [Fascia Cover]	13.5	131	227	127	266
20ga. Steel [Cleat]	13.5	131	227	127	266
22ga. Steel [Fascia Cover]	7.5	175	302	163	342
22ga. Steel [Fascia Cover]	10	175	302	163	342
24ga. Steel [Fascia Cover]	8.5	175	302	163	342
24ga. Steel [Waterdam]	13.5	131	227	127	266



<b>Presto-Tite Drip Edge</b>	TAS 111 (B)	Decorative galvanized steel or aluminum fascia with continuous formed rail.
------------------------------	-------------	---

**Presto-Tite Drip Edge**

- The anchor bar is secured to the wood nailer with #10-1.5 in (38 mm) long or #14 stainless steel screws (wood substrates only) or masonry screws (wood or masonry substrates) secured on the vertical face in two rows. The top row of fasteners is spaced 12 in (305 mm) o.c. approximately 1.25 in (32 mm) from the top of the anchor bar. The bottom row of fasteners is spaced 24 in (610 mm) o.c. approximately 2.75 in (70 mm) from top of the anchor bar. The rows are staggered
  - Fascia cover is applied over the anchor bar.

Material	Max Face Height (in.)	Perimeter Pressure (psf.)		Corner Pressure (psf.)	
		Horizontal	Vertical	Horizontal	Vertical
0.040in. Alum [Fascia Cover]	6	568	983	560	1176
24ga. Steel [Fascia Cover]	6	568	983	561	1176

<b>Presto-Tite Drip Edge</b>	TAS 111 (B)	Decorative galvanized steel or aluminum fascia with continuous formed rail.
------------------------------	-------------	---

**Presto-Tite Drip Edge**

- The anchor bar is secured to the wood nailer with #10-2.0 in (51 mm) long or #14 stainless steel screws (wood substrates only) or masonry screws (wood or masonry substrates) secured on the vertical face in two rows. The top row of fasteners is spaced 12 in (305 mm) o.c. approximately 1.25 in (32 mm) from the top of the anchor bar. (Optional) The bottom row of fasteners is spaced 24 in (610 mm) o.c. approximately 2.75 in (70 mm) from top of the anchor bar. The rows are staggered
  - Fascia cover is applied over the anchor bar.

Material	Max Face Height (in.)	Perimeter Pressure (psf.)		Corner Pressure (psf.)		# of Fastening Rows
		Horizontal	Vertical	Horizontal	Vertical	
0.040in. Alum [Fascia Cover]	7.5	87	151	90	190	1
	7.5	247	428	253	531	2



<b>Presto-Tite HG Fascia-Single Ply Version</b>	TAS 111 (B)	Decorative aluminum fascia with continuous extruded aluminum bar.			
<b>Presto-Tite HG Fascia-B.U.R./Modified Version</b>	TAS 111 (B)	Decorative aluminum fascia with continuous extruded aluminum bar.			
<b>Presto-Tite HG Fascia-Single Ply Version or B.U.R./Modified Version</b>					
<ul style="list-style-type: none"> <li>The anchor bar is secured to the wood nailer with #10-2.0 in (51 mm) long or #14 stainless steel screws (wood substrates only) or masonry screws (wood or masonry substrates) secured on the vertical face with the fasteners spaced 12 in (305 mm) o.c. approximately 1.25 in (32 mm) from the top anchor bar.</li> <li>Fascia cover is applied over the anchor bar.</li> </ul>					
Material	Max Face Height (in.)	Perimeter Pressure (psf.)		Corner Pressure (psf.)	
		Horizontal	Vertical	Horizontal	Vertical
0.040in. Alum [Fascia Cover]	8.5	175	302	163	342
0.050in. Alum [Fascia Cover]	7	364	630	362	759
0.050in. Alum [Fascia Cover]	8.5	291	504	289	607
0.050in. Alum [Fascia Cover]	10	189	328	181	380
0.063in. Alum [Fascia Cover]	7	364	630	362	759
22ga. Steel [Fascia Cover]	8.5 or 10	175	302	163	342

<b>Presto-Tite HG Fascia-Single Ply Version with JM Eliminaailer-T</b>	TAS 111 (B)	Decorative aluminum fascia with continuous extruded aluminum bar.			
<b>Presto-Tite HG Fascia-B.U.R./Modified Version with JM Eliminaailer-T</b>	TAS 111 (B)	Decorative aluminum fascia with continuous extruded aluminum bar.			
<b>Presto-Tite HG Fascia-Single Ply Version or B.U.R./Modified Version</b>					
<ul style="list-style-type: none"> <li>The anchor bar is secured to the wood nailer with #10-2.0 in (51 mm) long or #14 stainless steel screws (wood substrates only) or masonry screws (wood or masonry substrates), or Tek 3 x 1 in (76 x 25 mm) long (JM Eliminaailer T) secured on the vertical face with the fasteners spaced 12 in (305 mm) o.c. approximately 1.25 in (32 mm) from the top anchor bar.</li> <li>Fascia cover is applied over the anchor bar.</li> </ul>					
Material	Max Face Height (in.)	Perimeter Pressure (psf.)		Corner Pressure (psf.)	
		Horizontal	Vertical	Horizontal	Vertical
0.050in. Alum [Fascia Cover]	10	204	353	199	417
22ga. Steel [Fascia Cover]	8.5 or 10	175	302	181	380



<b>JM Eliminaailer-T (Sub-assembly Performance)</b>	TAS 111 (B)	Decorative aluminum fascia with continuous extruded aluminum bar.
---	-------------	---

**JM Eliminaailer-T (Sub-assembly Performance)**

- The JM Eliminaailer T is a heavy gauge aluminum nailer replacement or enhancement for wood nailers or masonry walls. When used with a masonry wall, the face height is 1.5 or 3 in. (38 or 76 mm), the flange length is 5.5 in. (140 mm) wide, and the thickness is 0.100 in. (2.5 mm), and it can be secured with a #14 masonry screw or 0.25 in. (6.4 mm) concrete spike. When used with a wood nailer, the face height is 1.5 or 3 in (38.1 or 76.2 mm), the flange length is 2.5 in, (64 mm) wide, and the thickness is 0.080 in (2.0 mm) and secured with a #14 steel screws. Both come with 9/32 x 3/8 in. (7.1 x 15.9 mm) predrilled slotted holes spaced 6 in (152.4 mm) o.c. staggered distances from the face. The JM Eliminaailer T is to be used with FM Approved fascia.
- Presto-Tite HG Fascia or Presto-Tite Canted Fascia are attached to the JM Eliminaailer T with Tek 3 x 1 in. (76 x 25 mm) long fasteners secured on the vertical face with the fasteners spaced 12 in. (305 mm) o.c. approximately 1.25 in. (32 mm) from the top of the JM Eliminaailer T face.

Material	Max Face Height (in.)	Perimeter Pressure (psf.)*		Corner Pressure (psf.)*	
		Horizontal	Vertical	Horizontal	Vertical
0.080in. Alum [Fascia Cover]	1.5	960	1,663	1,193	2,505
0.100in. Alum [Fascia Cover]	3	960	1,663	1,193	2,505
Note:	*Performance herein reflects performance of the JM Eliminaailer-T sub-assembly. Overall system performance to be limited to that of the Presto-Tite Drip Edge or Presto-Tite HG Fascia assembly selection, as noted herein.				



<b>Presto-Tite Edge One MB Fascia</b>	TAS 111 (B)	Decorative galvanized steel or aluminum fascia with continuous formed rail.
---------------------------------------	-------------	---

**Presto-Tite Edge One MB Fascia**

- For Face Height less than or equal to 5 in (127 mm): The rail is secured to the wood nailer with #10-2.0 in (51 mm) long or #14 stainless steel screws (wood substrates only) or masonry screws (wood or masonry substrates) secured on the vertical face with the fasteners spaced maximum 12 in (305 mm) o.c. approximately 1.25 in (32 mm) from the top of the rail.
- For Face Heights less than or equal to 8 in (203 mm) The rail is secured to the wood nailer with two rows of #10-2.0 in (51 mm) long or #14 stainless steel screws (wood substrates only) or masonry screws (wood or masonry substrates). The top row is secured on the vertical face with the fasteners spaced 12 in (305 mm) o.c. approximately 1.25 in (32 mm) from the top of the rail. The bottom row is secured on the vertical face with the fasteners spaced 24 in (610 mm) o.c. approximately 2.75 in (70 mm) from the top of the rail.
- Spring clips are placed over the rail spaced 48 in (1219 mm) o.c.
- Fascia cover is snapped into place.

Material	Max Face Height (in.)	Perimeter Pressure (psf.)		Corner Pressure (psf.)	
		Horizontal	Vertical	Horizontal	Vertical
0.040in. Alum [Fascia Cover]	5	407	706	416	873
0.040in. Alum [Fascia Cover]	8	175	302	163	342
20ga. Steel [Rail]	5	407	706	416	873
20ga. Steel [Rail]	8	175	302	163	342
24ga. Steel [Fascia Cover]	5	407	706	416	873
24ga. Steel [Fascia Cover]	8	175	302	163	342

<b>JM Flash-Thru Drip Edge</b>	TAS 111 (B)	Decorative galvanized steel or aluminum fascia with continuous formed rail.
--------------------------------	-------------	---

**JM Flash-Thru Drip Edge**

- The continuous cleat is secured to the wood nailer with 1.25 in (32 mm) long ring shank nails secured on the vertical face spaced maximum 12 in (305 mm) o.c. approximately 0.813 in (21 mm) down from the top of the wall.
- The top flange of the fascia cover is fastened with 1.25 in (32 mm) long ring shank nails in two staggered rows, each row spaced 12 in (305 mm) o.c., the rows are 1.75 in (44 mm) and 3 in (76 mm) from edge of wall.

Material	Max Face Height (in.)	Perimeter Pressure(psf.)		Corner Pressure (psf.)	
		Horizontal	Vertical	Horizontal	Vertical
0.040in. Alum [Fascia Cover]	6	276	479	271	569
22ga. Steel [Cleat]	6	276	479	271	569
24ga. Steel [Fascia Cover]	6	276	479	271	569



<b>JM Drip Edge</b>	TAS 111 (B)	Decorative galvanized steel or aluminum fascia with continuous formed rail.
---------------------	-------------	---

**JM Drip Edge**

- For Face Height less than or equal to 6 in (152 mm): The continuous cleat is secured to the wood nailer with 1.25 in (32 mm) long ring shank nails secured on the vertical face spaced 12 in (305 mm) o.c. approximately 0.813 in (21 mm) down from the top of the wall.
- The top flange of the fascia cover is fastened with 1.25 in (32 mm) long ring shank nails spaced 6 in (152 mm) o.c, 0.5 in (13 mm) edge of flange.
- For Face Height greater than 6 in (152 mm) and less than or equal to 10 in (254 mm): The continuous cleat is secured to the wood nailer with 1.25 in (32 mm) long ring shank nails secured on the vertical face spaced 12 in (305 mm) o.c. approximately 1.5 in (38 mm) up from the drip.
- The top flange of the fascia cover is fastened with 1.25 in (32 mm) long ring shank nails spaced 6 in (152 mm) o.c, 0.4375 in (11 mm) edge of flange.

Material	Max Face Height (in.)	Perimeter Pressure (psf.)		Corner Pressure (psf.)	
		Horizontal	Vertical	Horizontal	Vertical
0.040in. Alum [Fascia Cover]	6	276	479	271	569
0.040in. Alum [Fascia Cover]	10	175	302	163	342
0.050in. Alum [Fascia Cover]	6	276	479	271	569
0.050in. Alum [Fascia Cover]	10	175	302	163	342
0.063in. Alum [Fascia Cover]	6	276	479	271	569
0.063in. Alum [Fascia Cover]	10	175	302	163	342
0.040in. Alum [Fascia Cover – PVC or TPO Coating]	6	276	479	271	569
0.040in. Alum [Fascia Cover – PVC or TPO Coating]	10	175	302	163	342
22ga. Steel [Fascia Cover]	6	276	479	271	569
22ga. Steel [Fascia Cover]	10	175	302	163	342
24ga. Steel [Fascia Cover]	6	276	479	271	569
24ga. Steel [Fascia Cover]	10	175	302	163	342
24ga. Steel [Fascia Cover – PVC or TPO Coating]	6	276	479	271	569
24ga. Steel [Fascia Cover – PVC or TPO Coating]	10	175	302	163	342
22ga. Steel [Cleat]	6	276	479	271	569
22ga. Steel [Cleat]	10	175	302	163	342



<b>Presto-Tite Edge One SP Fascia</b>	TAS 111 (B)	Decorative galvanized steel or aluminum fascia with continuous formed rail.
---------------------------------------	-------------	---

**Presto-Tite Edge One SP Fascia**

- The continuous cleat is secured to the wood nailer with #10-2 in (51 mm) long or #14 stainless steel screws (wood substrates only) or masonry screws (wood or masonry substrates) secured 12 in (305 mm) o.c. approximately 13/16 - 1 in (21-25 mm) down from the upper horizontal surface.
- Spring clips are placed over the rail spaced 48 in (1219 mm) o.c.
- Fascia cover is snapped into place.

Material	Max Face Height (in.)	Perimeter Pressure (psf.)		Corner Pressure (psf.)	
		Horizontal	Vertical	Horizontal	Vertical
0.040in. Alum [Fascia Cover]	4	393	680	380	797
0.040in. Alum [Fascia Cover]	8	146	252	145	304
24ga. Steel [Fascia Cover]	4	393	680	380	797
24ga. Steel [Fascia Cover]	8	146	252	145	304
20ga. Steel [Cleat]	4	393	680	380	797
20ga. Steel [Cleat]	8	146	252	145	304

<b>Presto-Tite Edge One Extended Fascia</b>	TAS 111 (B)	Decorative galvanized steel or aluminum fascia with continuous formed rail.
---	-------------	---

**Presto-Tite Edge One Extended Fascia**

- The continuous cleat is secured to the wood nailer in two rows. The top row is #10-2 in (51 mm) long or #14 stainless steel screws (wood substrates only) or masonry screws (wood or masonry substrates) secured 12 in (305 mm) o.c. approximately 1 in (19 mm) down from the upper horizontal surface. The bottom row is 1/4x1 1/4 Long masonry/wood screws spaced 24 in (605 mm) o.c. approximately 2.125 in (54 mm) up from the bottom edge of the cleat.
- Spring clips are placed over the rail spaced 48 in (1219 mm) o.c.
- Fascia cover is snapped into place.

Material	Max Face Height (in.)	Perimeter Pressure (psf.)		Corner Pressure (psf.)	
		Horizontal	Vertical	Horizontal	Vertical
0.050in. Alum [Fascia Cover]	12.5	146	252	145	304
20ga. Steel [Cleat]	12.5	146	252	145	304





<b>JM Gravel Stop</b>	TAS 111 (B)	Decorative galvanized steel or aluminum fascia with continuous formed rail.
-----------------------	-------------	---

**JM Gravel Stop**

- For Face Height less than or equal to 6 in (152 mm): The continuous cleat is secured to the wood nailer with 1.25 in (32 mm) long ring shank nails secured on the vertical face spaced 12 in (305 mm) o.c. approximately 13/16 in (21 mm) down from the top of the wall.
- The top flange of the fascia cover is fastened with 1.25 in (32 mm) long ring shank nails spaced 6 in (152 mm) o.c, 0.4375 in (11 mm) edge of flange.
- For Face Height >6 in (152) up to 10 in (254 mm): The continuous cleat is secured to the wood nailer with 1.25 in (32 mm) long ring shank nails secured on the vertical face spaced 12 in (305 mm) o.c. approximately 1.5 in (38 mm) up from bottom of cleat.
- The top flange of the fascia cover is fastened with 1.25 in (32 mm) long ring shank nails spaced 6 in (152 mm) o.c, 0.4375 in (11 mm) edge of flange.

Material	Max Face Height (in.)	Perimeter Pressure (psf.)		Corner Pressure (psf.)	
		Horizontal	Vertical	Horizontal	Vertical
0.040in. Alum [Fascia Cover]	6	204	353	200	417
0.040in. Alum [Fascia Cover]	10	247	428	253	531
0.050in. Alum [Fascia Cover]	6	204	353	200	417
0.050in. Alum [Fascia Cover]	10	247	428	253	531
0.063in. Alum [Fascia Cover]	6	204	353	200	417
0.063in. Alum [Fascia Cover]	10	247	428	253	531
0.040in. Alum [Fascia Cover – PVC or TPO Coating]	6	204	353		417
0.040in. Alum [Fascia Cover – PVC or TPO Coating]	10	247	428	253	531
24ga. Steel [Fascia Cover]	6	204	353	200	417
24ga. Steel [Fascia Cover]	10	247	428	253	531
24ga. Steel [Fascia Cover – PVC or TPO Coating]	6	204	353	200	417
24ga. Steel [Fascia Cover – PVC or TPO Coating]	10	247	428	253	531
22ga. Steel [Cleat]	6	204	353	200	417
22ga. Steel [Cleat]	10	247	428	253	531



<b>JM System 200 Fascia, Single Ply, Crimp-On</b>	TAS 111 (B)	Decorative galvanized steel or aluminum fascia with continuous formed rail.
---	-------------	---

**JM System 200 Fascia, Single Ply, Crimp-On**

- Steel cant/waterdam is secured to wood nailers with 1-¼ in (32 mm) long ring shank roofing nails secured on the vertical face spaced 12 in (305 mm) o.c. 2 ¼ in (57 mm) from bottom of drip edge and on the top 6 in (152) o.c. approximately 0.5 in (13 mm) from the edge.
- An FM Approved single ply roof membrane is applied over the cant.
- The fascia cover is then applied over the cant and crimped with a hand crimper maximum 18 in (457 mm) o.c.

Material	Max Face Height (in.)	Perimeter Pressure (psf.)		Corner Pressure (psf.)	
		Horizontal	Vertical	Horizontal	Vertical
0.040in. Alum [Fascia Cover]	8	116	202	127	266
0.050in. Alum [Fascia Cover]	5	189	328	181	380
0.050in. Alum [Fascia Cover]	12.5	87	152	91	190
0.063in. Alum [Fascia Cover]	5	189	328	181	380
0.063in. Alum [Fascia Cover]	12.5	87	152	91	190
24ga. Steel [Fascia Cover]	8	116	202	127	266
24ga. Steel [Waterdam]	5	189	328	181	380
24ga. Steel [Waterdam]	8	116	202	127	266
24ga. Steel [Waterdam]	12.5	87	152	91	190



<b>JM System 200 Fascia, Single Ply, Snap-On</b>	TAS 111 (B)	Decorative galvanized steel or aluminum fascia with continuous formed rail.
<b>JM System 300 Fascia, Modified, Snap-On</b>	TAS 111 (B)	Decorative galvanized steel or aluminum fascia with continuous formed rail.

**JM System 200 Fascia, Single Ply, Snap-On or 300 Fascia, Modified, Snap-On**

- Steel cant/waterdam is secured to wood nailers with 1-¼ in (32 mm) long ring shank roofing nails secured on the vertical face spaced 12 in (305 mm) o.c. 2 ¼ in (57 mm) from bottom of drip edge and on the top 6 in (152) o.c. approximately 0.5 in (13 mm) from the edge.
- Stainless steel spring clips are applied maximum 4 ft. (1.2 m) o.c.
- An FM Approved roof membrane is applied over the cant.
- The fascia cover is then snapped into place over the cant.

Material	Max Face Height (in.)	Perimeter Pressure (psf.)		Corner Pressure (psf.)	
		Horizontal	Vertical	Horizontal	Vertical
0.040in. Alum [Fascia Cover]	8.25	189	328	182	380
0.040in. Alum [Fascia Cover]	12.75	116	202	109	228
0.050in. Alum [Fascia Cover]	8.25	204	353	200	417
0.050in. Alum [Fascia Cover]	12.75	116	202	109	228
0.063in. Alum [Fascia Cover]	12.75	116	202	109	228
24ga. Steel [Fascia Cover]	8.25	189	328	182	380
24ga. Steel [Fascia Cover]	12.75	116	202	109	228
24ga. Steel [Waterdam]	8.25	189	328	182	380
24ga. Steel [Waterdam]	12.75	116	202	109	228



<b>Presto-Lock Coping</b>	TAS 111 (C)	Decorative aluminum coping cap with galvanized steel anchor/support cleats.
---------------------------	-------------	---

**Presto-Lock Coping (Min. 20ga. Anchor Clips)**

- Anchor clips are secured on the 6 in (152 mm) face with two #10 or #14 stainless steel screws (wood substrates only) or masonry screws (wood or masonry substrates) 1.5 in (38 mm) from the bottom and on the top of the 6 in (152 mm) side with two screws 1.75 in (44 mm) from the edge. On the 4 in (102 mm) side the face is secured with two screws 1.25 in (32 mm) from the bottom and on the top of the 4 in (102 mm) side with two screws 1.125 in (28.6 mm) from the edge.
- Anchor clips are spaced 24 in (610 mm), 36 in (914 mm) or 48 in (1219 mm) o.c.
- The coping cap is snapped into place over the anchor clips.

Material	Max Face Height (in.)	Max Wall Width (in.)	Max Back Height (in.)	Perimeter Pressure (psf.)		Corner Pressure (psf.)		
				Horizontal	Vertical	Horizontal	Vertical	
0.040in. Alum or 24ga. Steel [Coping Cap]	4	8	6	161	278	127	266	
	Anchor Clip Material and O.C. Spacing: 20 ga, and 4 ft o.c.							
	4	12	6	87	151	73	152	
	Anchor Clip Material and O.C. Spacing: 20 ga, and 4 ft o.c.							
	4	10	6	204	353	163	342	
	Anchor Clip Material and O.C. Spacing: 16 ga, and 4 ft o.c.							
	4	12	6	116	202	91	190	
	Anchor Clip Material and O.C. Spacing: 20 ga, and 3 ft o.c.							
	4	14	6	116	202	91	190	
	Anchor Clip Material and O.C. Spacing: 20 ga, and 3 ft o.c.							
	4	16	6	131	227	109	228	
	Anchor Clip Material and O.C. Spacing: 16 ga, and 4 ft o.c.							
0.040in. Alum or 24ga. Steel [Coping Cap]	4	24	6	73	126	N/A	N/A	
	Anchor Clip Material and O.C. Spacing: 16 ga, and 3 ft o.c.							
0.050in. or 0.063in. Alum [Coping Cap]	4	16	12	73	126	N/A	N/A	
	Anchor Clip Material and O.C. Spacing: 16 ga, and 4 ft o.c.							
	4	8	6	218	378	182	380	
	Anchor Clip Material and O.C. Spacing: 20 ga, and 4 ft o.c.							
	4	10	6	233	403	182	380	
	Anchor Clip Material and O.C. Spacing: 16 ga, and 4 ft o.c.							
	4	12	6	131	227	109	228	
	Anchor Clip Material and O.C. Spacing: 20 ga, and 3 ft o.c.							
	4	14	6	116	202	91	190	
	Anchor Clip Material and O.C. Spacing: 20 ga, and 3 ft o.c.							
	4	16	6	88	152	73	152	
	Anchor Clip Material and O.C. Spacing: 20 ga, and 3 ft o.c.							
4	24	6	102	177	73	152		
Anchor Clip Material and O.C. Spacing: 16 ga, and 3 ft o.c.								
4	32	6	88	152	73	152		
Anchor Clip Material and O.C. Spacing: 16 ga, and 2 ft o.c.								
0.050in. or 0.063in. Alum [Coping Cap]	4	16	12	117	202	91	190	
	Anchor Clip Material and O.C. Spacing: 16 ga, and 4 ft o.c.							
	4	24	12	102	177	91	190	
Anchor Clip Material and O.C. Spacing: 16 ga, and 3 ft o.c.								



<b>Presto-Lock Coping</b>	TAS 111 (C)	Decorative aluminum coping cap with galvanized steel anchor/support cleats.
---------------------------	-------------	---

**Presto-Lock Coping (16 ga. Anchor Clips)**

- Anchor clips are secured on the 6 in (152 mm) face with two #10 or #14 stainless steel screws (wood substrates only) or masonry screws (wood or masonry substrates) 1.5 in (38 mm) from the bottom and on the top of the 6 in (152 mm) side with two screws 1.75 in (44 mm) from the edge. On the 4 in (102 mm) side the face is secured with two screws 1.25 in (32 mm) from the bottom and on the top of the 4 in (102 mm) side with two screws 1.125 in (28.6 mm) from the edge.
- Anchor clips are spaced 24 in (610 mm), 36 in (914 mm) or 48 in (1219 mm) o.c.
- The coping cap is snapped into place over the anchor clips.

Material	Max Face Height (in.)	Max Wall Width (in.)	Max Back Height (in.)	Perimeter Pressure (psf.)		Corner Pressure (psf.)	
				Horizontal	Vertical	Horizontal	Vertical
0.040in. Alum or 24ga. Steel [Coping Cap]	4	12	6	146	252	109	228
	Anchor Clip Material and O.C. Spacing: 16 ga, and 4 ft o.c.						
0.050in. or 0.063in. Alum [Coping Cap]	4	12	6	218	378	182	380
	Anchor Clip Material and O.C. Spacing: 16 ga, and 4 ft o.c.						
	4	16	6	146	252	127	266
Anchor Clip Material and O.C. Spacing: 16 ga, and 4 ft o.c.							



<b>Presto-Lock Flush Face Coping</b>	TAS 111 (C)	Decorative aluminum coping cap with galvanized steel anchor/support cleats.
<b>Presto-Lock Gold Coping</b>	TAS 111 (C)	Decorative aluminum coping cap with galvanized steel anchor/support cleats.

**Presto-Lock Flush Face Coping or Presto-Lock Gold Coping (Min. 20 ga. Anchor Clips)**

- Anchor clips are secured on the outside face with two #10 or #14 stainless steel screws (wood substrates only) or masonry screws (wood or masonry substrates) 1.5 in (38 mm) from the bottom and on the top of the outside with two screws 1.75 in (44 mm) from the edge. On the inside face are secured with two screws 1.25 in (32 mm) from the bottom and on the top of the inside with two screws 1.125 in (28.6 mm) from the edge.
- Anchor clips are spaced 24 in (610 mm), 36 in (914 mm) or 48 in (1219 mm) o.c. as noted below
- The coping cap is snapped into place over the anchor clips.

Material	Max Face Height (in.)	Max Wall Width (in.)	Max Back Height (in.)	Perimeter Pressure (psf)		Corner Pressure (psf.)		
				Horizontal	Vertical	Horizontal	Vertical	
0.040in. Alum or 24ga. Steel [Coping Cap]	4	8	6	146	252	109	228	
	Anchor Clip Material and O.C. Spacing: 20 ga, and 4 ft o.c.							
	4	10	6	218	378	182	380	
	Anchor Clip Material and O.C. Spacing: 16 ga, and 4 ft o.c.							
	4	12	6	116	202	91	190	
	Anchor Clip Material and O.C. Spacing: 20 ga, and 3 ft o.c.							
	4	14	6	87	151	73	152	
	Anchor Clip Material and O.C. Spacing: 20 ga, and 3 ft o.c.							
	4	16	6	87	151	N/A	N/A	
	Anchor Clip Material and O.C. Spacing: 20 ga, and 3 ft o.c.							
0.040in. Alum or 24ga. Steel [Coping Cap]	4	16	12	131	227	109	228	
	Anchor Clip Material and O.C. Spacing: 16 ga, and 4 ft o.c.							
	4	24	12	87	151	73	152	
	Anchor Clip Material and O.C. Spacing: 16 ga, and 4 ft o.c.							
0.050in. or 0.063in. Alum [Coping Cap]	4	8	6	190	328	163	342	
	Anchor Clip Material and O.C. Spacing: 20 ga, and 4 ft o.c.							
	4	10	6	291	504	236	493	
	Anchor Clip Material and O.C. Spacing: 16 ga, and 4 ft o.c.							
	4	12	6	146	252	109	228	
	Anchor Clip Material and O.C. Spacing: 20 ga, and 3 ft o.c.							
	4	14	6	116	202	91	190	
	Anchor Clip Material and O.C. Spacing: 20 ga, and 3 ft o.c.							
	4	16	6	102	176	73	152	
	Anchor Clip Material and O.C. Spacing: 20 ga, and 3 ft o.c.							
	4	24	6	131	227	109	228	
Anchor Clip Material and O.C. Spacing: 16 ga, and 3 ft o.c.								
0.050in. or 0.063in. Alum [Coping Cap]	4	16	12	146	252	109	228	
	Anchor Clip Material and O.C. Spacing: 16 ga, and 4 ft o.c.							
	4	24	12	102	176	91	190	
	Anchor Clip Material and O.C. Spacing: 16 ga, and 3 ft o.c.							



<b>Presto-Lock Flush Face Coping</b>	TAS 111 (C)	Decorative aluminum coping cap with galvanized steel anchor/support cleats.
<b>Presto-Lock Gold Coping</b>	TAS 111 (C)	Decorative aluminum coping cap with galvanized steel anchor/support cleats.

**Presto-Lock Flush Face Coping or Presto-Lock Gold Coping (16 ga. Anchor Clips)**

- Anchor clips are secured on the outside face with two #10 or #14 stainless steel screws (wood substrates only) or masonry screws (wood or masonry substrates) 1.5 in (38 mm) from the bottom and on the top of the outside with two screws 1.75 in (44 mm) from the edge. On the inside face are secured with two screws 1.25 in (32 mm) from the bottom and on the top of the inside with two screws 1.125 in (28.6 mm) from the edge.
- Anchor clips are spaced 24 in (610 mm), 36 in (914 mm) or 48 in (1219 mm) o.c. as noted below
- The coping cap is snapped into place over the anchor clips.

Material	Max Face Height (in.)	Max Wall Width (in.)	Max Back Height (in.)	Perimeter Pressure (psf)		Corner Pressure (psf)	
				Horizontal	Vertical	Horizontal	Vertical
0.040in. Alum or 24ga. Steel [Coping Cap]	4	12	6	189	328	163	342
	Anchor Clip Material and O.C. Spacing: 16 ga, and 4 ft o.c.						
	4	16	6	131	227	109	228
0.050in. or 0.063in. Alum [Coping Cap]	4	12	6	233	403	182	380
	Anchor Clip Material and O.C. Spacing: 16 ga, and 4 ft o.c.						
	4	16	6	146	252	109	228
	Anchor Clip Material and O.C. Spacing: 16 ga, and 4 ft o.c.						



<b>Presto-Lock Continuous Cleat Coping</b>	TAS 111 (C)	Decorative aluminum coping cap with galvanized steel anchor/support cleats.
--	-------------	---

**Presto-Lock Continuous Cleat Coping**

- The outside cleat is secured to the front face of the substrate with #14 stainless steel screws (wood substrate only) or masonry screw spaced 12 in (305 mm) o.c. and 1.25 in (32 mm) up from the bottom edge of the cleat and is secured to the top face of the substrate with #14 stainless steel screws (wood substrate only) or masonry screw spaced 12 in (305 mm) o.c. and 0.5 in (13 mm) from the edge of the cleat.
- The inside cleat is secured to the inside face of the substrate with #14 stainless steel screws (wood substrates only) or masonry screw spaced 12 in (305 mm) o.c. and 1.75 in (44 mm) up from the bottom edge of the cleat and is secured to the top face of the substrate with #14 stainless steel screws (wood substrates only) or masonry screw spaced 12 in (305 mm) o.c. and 0.5 in (13 mm) from the edge of the cleat.
- The coping cap is secured over the two cleats and crimped on the inside face with a hand crimper maximum 18 in (457 mm) o.c.

Material	Max Face Height (in.)	Max Wall Width (in.)	Max Back Height (in.)	Perimeter Pressure (psf.)		Corner Pressure (psf.)	
				Horizontal	Vertical	Horizontal	Vertical
0.040in. Alum or 24ga. Steel [Coping Cap]	4	12	6	190	328	145	304
	4	14	6	160	277	127	266
	4	16	6	175	304	145	304
	4	24	6	88	152	73	152
0.040in. Alum or 24ga. Steel [Coping Cap]	4	16	12	146	252	109	228
	4	24	12	88	152	73	152
0.050in. or 0.063in. Alum [Coping Cap]	4	12	6	218	378	182	380
	4	14	6	175	304	145	304
	4	16	6	233	404	199	418
	4	24	6	131	227	109	228
	4	32	6	102	176	73	152
0.050in. or 0.063in. Alum [Coping Cap]	4	16	12	218	378	182	380
	4	24	12	131	227	109	228





<b>Presto-Lock Continuous 16 ga Cleat Coping (Tapered, Flat and Existing Slope)</b>	TAS 111 (C)	Decorative aluminum coping cap with galvanized steel anchor/support cleats.
---	-------------	---

**Presto-Lock Continuous 16 ga Cleat Coping (Tapered, Flat and Existing Slope)**

- The cleat is secured to the outside face with #14 stainless steel screws (wood substrate only) or masonry screw spaced 6 in (152 mm) o.c. and 1.5 in (38 mm) up from the bottom edge of the cleat and is secured to the top face with #14 stainless steel screws (wood substrate only) or masonry screw spaced 12 in (305 mm) o.c. and 0.5 in (13 mm) from the edge of the cleat.
- The coping cap is fastened on the inside face with #10” or #14 stainless steel screws (wood substrate only) or masonry screw spaced 6 in (152 mm) o.c. 1.5 in (38 mm) up from the bottom of the coping cap.

Material	Max Face Height (in.)	Max Wall Width (in.)	Max Back Height (in.)	Perimeter Pressure (psf.)		Corner Pressure (psf.)	
				Horizontal	Vertical	Horizontal	Vertical
0.050in. Alum or 0.063in. Alum [Coping Cap]	4	32	6	116	202	91	190
	4	32	6	116	202	91	190
16 ga. Steel [Cleats]	4	32	6	116	202	91	190



<b>Presto-Lock Gold Coping</b>	TAS 111 (C)	Decorative aluminum coping cap with galvanized steel anchor/support cleats.
--------------------------------	-------------	---

**Presto-Lock Gold Coping**

- For 6 in (152 mm) face and 16 in (406 mm) wide walls: Anchor clips are secured on the inside face with two #10 or #14 stainless steel screws (wood substrate only) or masonry screw 1.75 in (44 mm) from the bottom and on the top of the inside side with two screws 1.5 in (38 mm) from the edge. On the top of the outside face is secured with two #10 or #14 stainless steel screws (wood substrate only) or masonry screw 4.5 in (114 mm) from the edge and another two screws 5 in (127 mm) from the edge
- For 10 in (254 mm) face and 24 in (610 mm) wide walls: Anchor clips are secured on the inside face with two #10 or #14 stainless steel screws (wood substrate only) or masonry screw 1.375 in (35 mm) from the bottom and on the top of the inside side with two screws 2.5 in (63.5 mm) from the edge. The top of the outside face is secured with two #10 or #14 stainless steel screws (wood substrate only) or masonry screw 4.5 in (114 mm) from the edge and another two screws 5 in (127 mm) from the edge
- Anchor clips are spaced 36 in (914 mm) o.c.
- The coping cap is snapped into place over the anchor clips.

Material	Max Face Height (in.)	Max Wall Width (in.)	Max Back Height (in.)	Perimeter Pressure (psf.)		Corner Pressure (psf.)	
				Horizontal	Vertical	Horizontal	Vertical
0.040in. Alum or 24ga. Steel [Coping Cap]	4	16	6	116	202	91	190
0.050in. Alum or 0.063in. Alum [Coping Cap]	4	16	6	116	202	91	190
0.040in. Alum or 24ga. Steel [Coping Cap]	4	24	10	88	152	N/A	N/A
0.050in. Alum or 0.063in. Alum [Coping Cap]	4	24	10	88	152	73	152



<b>Presto-Tite Instant Fascia (Galv Cleat)</b>	TAS 111 (B)	Two-part assembly with rigid formed retainer and a decorative snap-on fascia cover.
--	-------------	---

**Presto-Tite Instant Fascia (Galv Cleat)** - Maximum length 10'. Maximum face width listed below. Minimum 20ga. galvanized steel cleat with snap-on fascia cover. Installed with 1.5" stainless steel hex head screws 12" o.c.

Material	Max Face Height (in.)	Perimeter Pressure(psf)		Corner Pressure (psf)	
		Horizontal	Vertical	Horizontal	Vertical
0.040in. Alum	5.25	320	n/a	325	n/a
0.040in. Alum	6	204	n/a	200	n/a
0.040in. Alum	10	102	n/a	109	n/a
24ga. Steel	5.25	378	n/a	379	n/a
24ga. Steel	6	247	n/a	236	n/a
24ga. Steel	10	131	n/a	127	n/a
0.039in. Zinc	6	189	n/a	182	n/a
0.039in. Zinc	10	131	n/a	127	n/a

<b>Presto-Tite Instant Fascia (Al Cleat)</b>	TAS 111 (B)	Two-part assembly with a rigid formed retainer and a decorative snap-on fascia cover.
--	-------------	---

**Presto-Tite Instant Fascia (Al Cleat)** - Maximum length 10'. Maximum face height listed below. Fascia cover snapped into place over 0.050 aluminum retainers. Installed with 1.5" stainless steel fastener spaced 12" o.c.

Material	Max Face Height (in.)	Perimeter Pressure(psf)		Corner Pressure (psf)	
		Horizontal	Vertical	Horizontal	Vertical
0.040in. Alum	6	218	n/a	218	n/a
0.040in. Alum	6.75	204	n/a	200	n/a
0.040in. Alum	8.25	116	n/a	109	n/a
24ga. Steel	5.25	276	n/a	271	n/a
24ga. Steel	6	218	n/a	218	n/a
24ga. Steel	8.25	160	n/a	163	n/a
0.039in Zinc	6	189	n/a	200	n/a

<b>JM Edgebox RI</b>	TAS 111 (B)	An engineered metal replacement system for roof nailers.
----------------------	-------------	--

**JM Edgebox RI**- Maximum length 10'. 5.5" face width, 4.5" face leg, 4.5" back leg. Minimum 20ga. galvanized steel two-piece unit. Installed to the bottom with #14 Universal fasteners, spaced at 12" o.c. and top secured with #14 HD fasteners spaced at 48" o.c. and #14 Universal fasteners at 12" o.c. through each side of JM EdgeBox RI.

Material	Max Face Height (in.)	Max Wall Width (in.)	Max Back Height (in.)	Perimeter Pressure(psf)		Corner Pressure (psf)	
				Horizontal	Vertical	Horizontal	Vertical
20ga. Steel	4.5	5.5	4.5	523	n/a	434	n/a



<b>JM Extender</b>		TAS 111 (B)		System used to extend the coverage of continuous water-tight metal systems.	
<b>JM Extender</b> – Maximum length 10'. Maximum face height 8.0". 24ga. galvanized steel cleat with fascia cover. Installed 1.5" stainless steel ring shank at 12" o.c.					
Material	Max Face Height (in.)	Perimeter Pressure(psf)		Corner Pressure (psf)	
		Horizontal	Vertical	Horizontal	Vertical
0.040in. Alum	8	58	n/a	73	n/a
0.050in. Alum	8	102	n/a	91	n/a
24ga. Steel	8	73	n/a	73	n/a

<b>JM Extender with Offset</b>		TAS 111 (B)		System used to extend the coverage of continuous water-tight metal systems	
<b>JM Extender with Offset</b> – Maximum length 10'. Maximum face height 8.0". 24ga. galvanized steel cleat with fascia cover. Installed 1.5" stainless steel ring shank at 12" o.c.					
Material	Max Face Height (in.)	Perimeter Pressure(psf)		Corner Pressure (psf)	
		Horizontal	Vertical	Horizontal	Vertical
0.040in. Alum	8	58	n/a	73	n/a
0.050in. Alum	8	102	n/a	91	n/a
24ga. Steel	8	73	n/a	73	n/a

<b>JM Industrial Box Gutter</b>		TAS 111 (C)		Gutters fabricated from either aluminum or prefinished steel		
<b>JM Industrial Box Gutter</b> – Maximum length 10'. Maximum face width 7 ¾", 6" face leg. 0.050 aluminum or 24ga. galvanized steel gutter and 1" wide two-piece extruded aluminum gutter bracket. Installed 1.5" universal fasteners at 24" o.c.						
Material	Max Face Height (in.)	Max Top Width (in.)	Perimeter Pressure(psf)		Corner Pressure (psf)	
			Horizontal	Vertical	Horizontal	Vertical
0.040in. Alum	6	7.75	87	151	109	228
24ga. Steel	6	7.75	87	151	109	228

<b>JM Industrial Offset Gutter</b>		TAS 111 (C)		Gutters fabricated from either aluminum or prefinished steel.		
<b>JM Industrial Offset Gutter</b> – Maximum length 10'. Maximum face width 7 ¾", 6" face leg. 0.050 aluminum or 24ga. galvanized steel gutter and 1" wide two-piece extruded aluminum gutter bracket. Installed 1.5" universal fasteners at 24" o.c.						
Material	Max Face Height (in.)	Max Top Width (in.)	Perimeter Pressure(psf)		Corner Pressure (psf)	
			Horizontal	Vertical	Horizontal	Vertical
0.040in. Alum	6	7.75	87	151	109	228
24ga. Steel	6	7.75	87	151	109	228

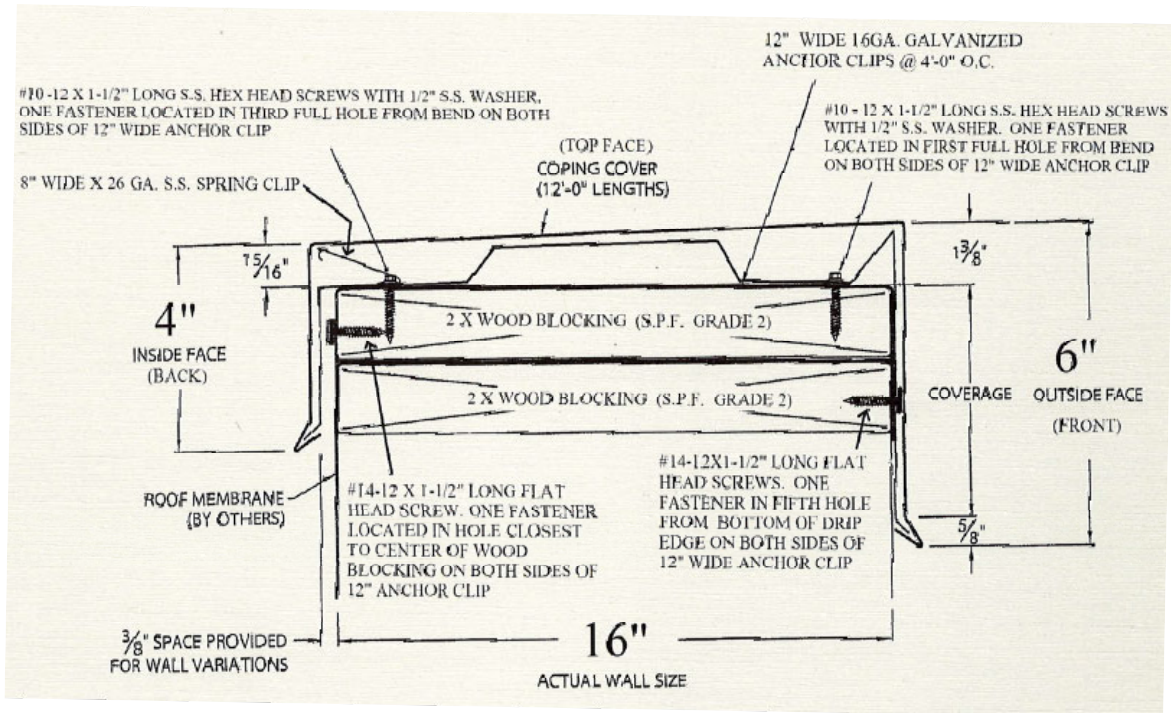
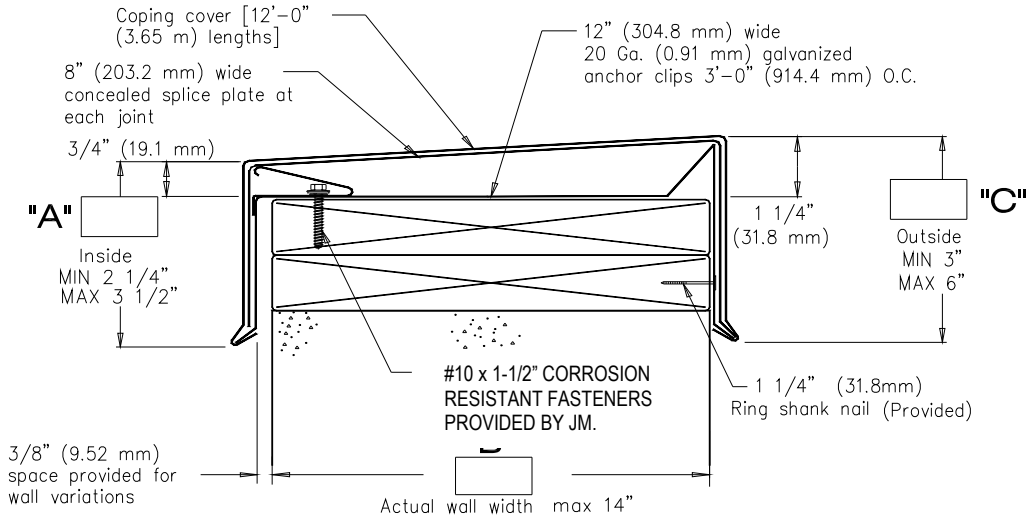


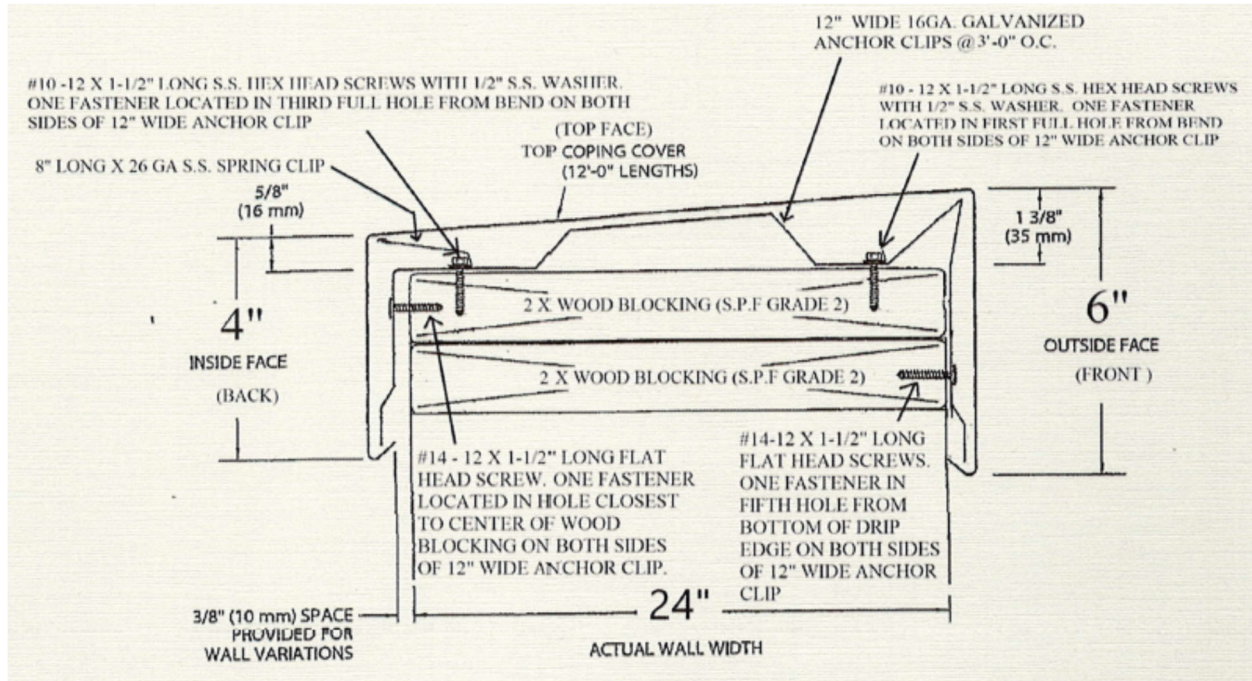
## LIMITATIONS:

1. All products listed herein shall be installed in accordance with the requirements set forth in RAS 111.
2. Maximum dimensions shall be as outlined in Table 1 herein.
3. All products listed herein shall be installed in conjunction with JM's required accessories including but not limited to: miters, splice caps, splice plates, corners, end caps, pier caps, etc.
4. Downspout scuppers, spillout scuppers shall be fabricated and installed in accordance with RAS 111.
5. If required, install water cut-off as recommended by the membrane manufacturer and under the anchor bar.
6. Contractor shall check as-built conditions and verify roof edge details for accuracy to fit as built conditions prior to installation. Installer shall comply with JM's published installation requirements.
7. Fasteners shall be JM's approved fasteners.
8. Fasteners shall provide a minimum pull out resistance of 240lbf (109 kg) into the substrate being fastened into. When tested in accordance with TAS 105.
9. No exposed fasteners shall be permitted.
10. All fasteners shall be of compatible materials.
11. Finishes shall be natural aluminum mill finish, or pre-coated Kynar 500. All coatings shall be in compliance with the Florida Building Code (FBC).
12. The maximum design pressures listed here in are applicable to the perimeter areas of the roof. Increased design pressures for corner areas, in compliance with applicable building code may be met through rational analysis by increasing the number of attachment points in these areas. The maximum fastener spacing noted in the "Systems Description" section of this approval shall not be exceeded. All rational analysis computations shall be prepared, signed and sealed by a Florida Registered Professional Engineer, Registered Architect, or Registered Roof Consultant.
13. All products listed herein shall have a quality assurance audit in accordance with the Florida Building Code and Rule 61G20-3 of the Florida Administrative Code.
14. All approved products listed herein shall be labeled and shall bear the imprint or identifiable marking of the manufacturer's name or logo and following statement: "Miami-Dade County Product Control Approved" or the Miami-Dade County Product Control Seal as shown below.



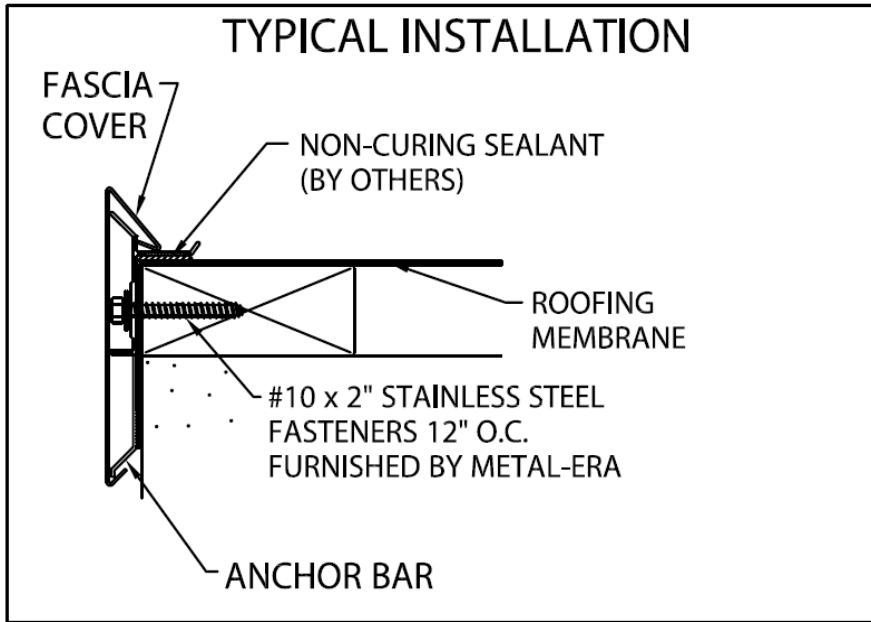
## DETAIL DRAWINGS



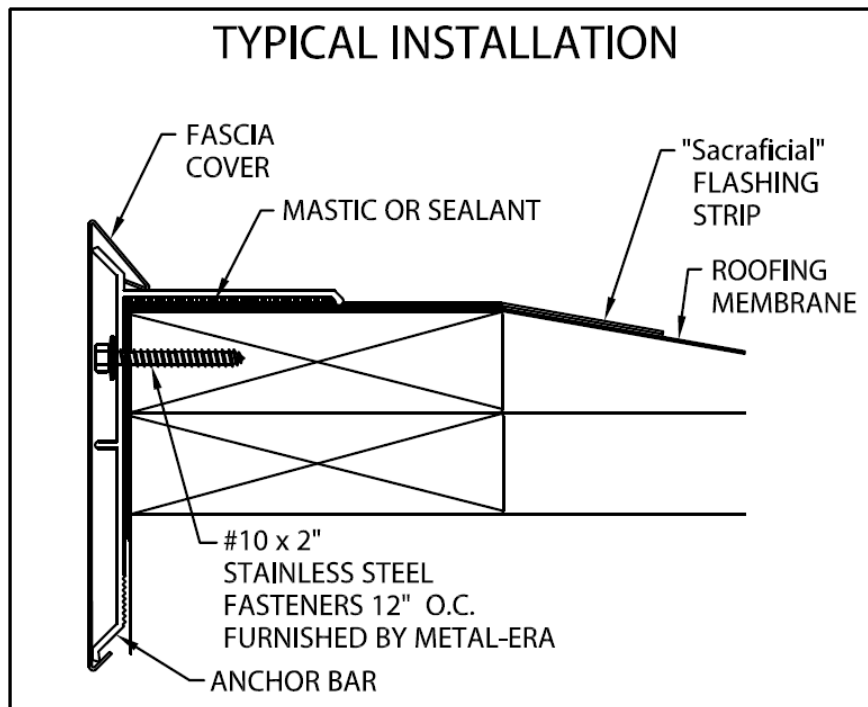


**PRESTO-LOCK GOLD COPING**





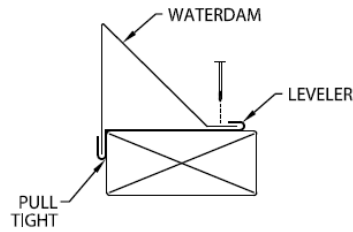
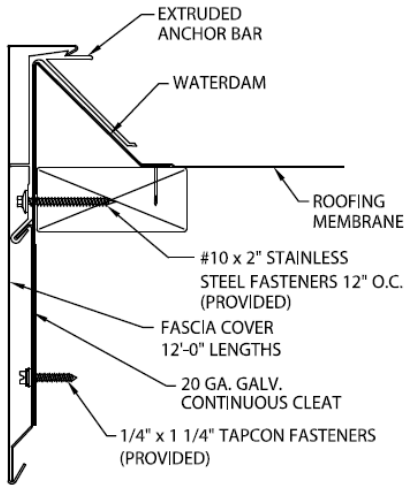
**PRESTO-TITE FASCIA-SINGLE PLY VERSION**



**PRESTO-TITE FASCIA-B.U.R./MODIFIED VERSION**



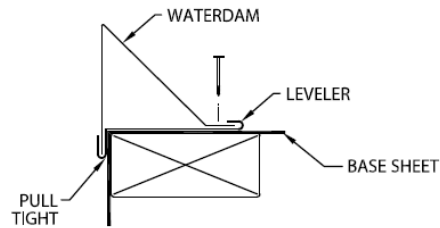
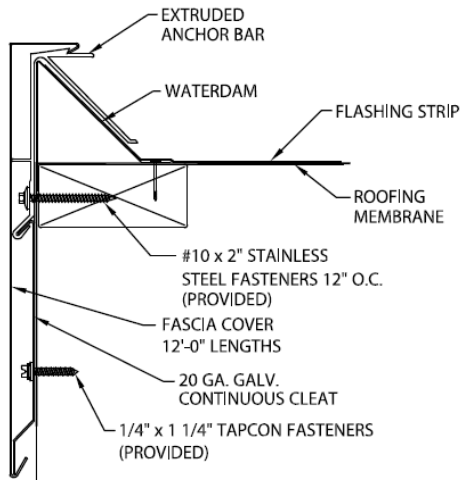
**SINGLE-PLY APPLICATION  
TYPICAL INSTALLATION**



WATERDAM MUST BE PULLED TIGHT TO THE OUTSIDE FACE OF THE BUILDING BEFORE NAILING THE ROOF FLANGE.

**PRESTO-TITE EXTENDED FASCIA-SINGLE PLY VERSION OR PRESTO-TITE  
EXTENDED CANTED WD FASCIA**

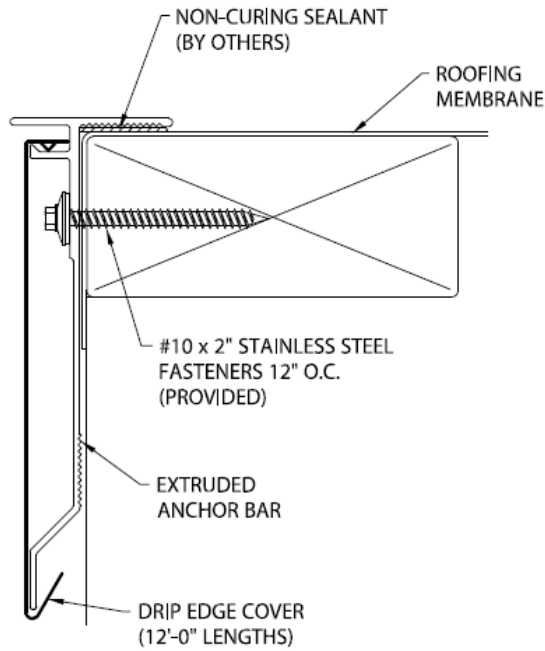
**B.U.R. / MODIFIED APPLICATION  
TYPICAL INSTALLATION**



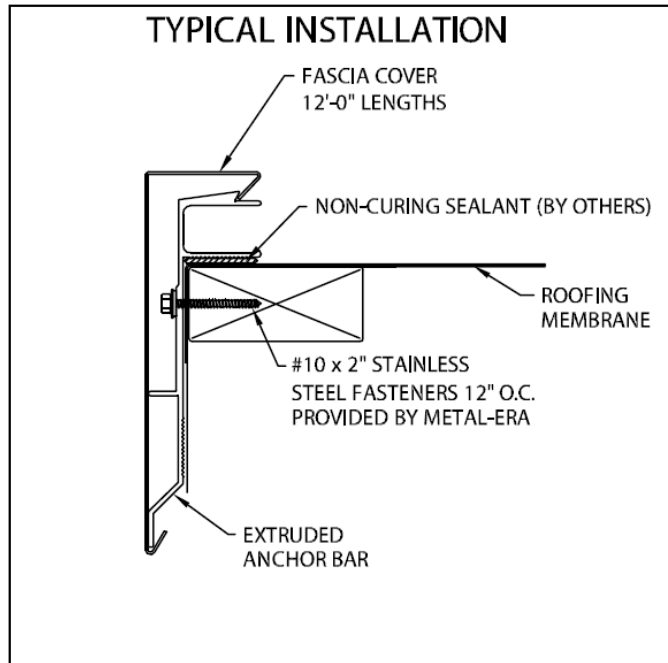
WATERDAM MUST BE PULLED TIGHT TO THE OUTSIDE FACE OF THE BUILDING BEFORE NAILING THE ROOF FLANGE.

**PRESTO-TITE EXTENDED FASCIA-B.U.R./MODIFIED VERSION OR PRESTO-TITE  
EXTENDED CANTED WD FASCIA**



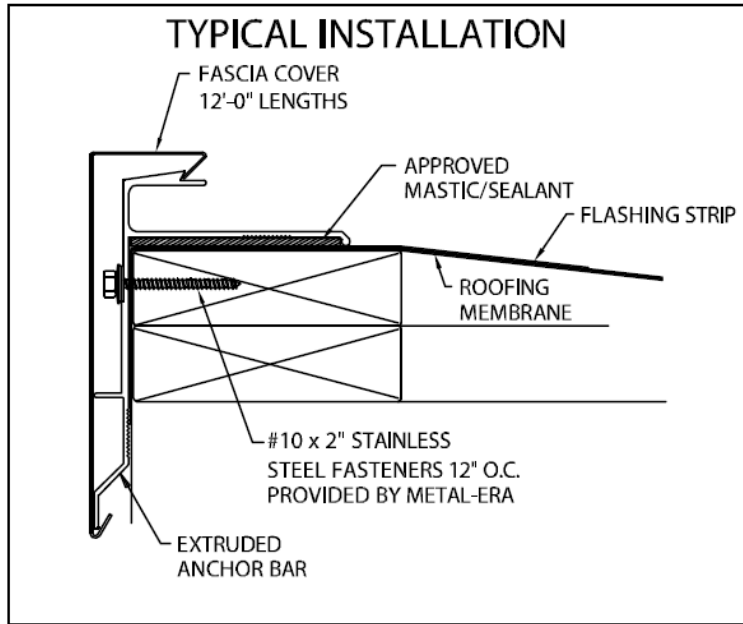


**PRESTO-TITE DRIP EDGE**



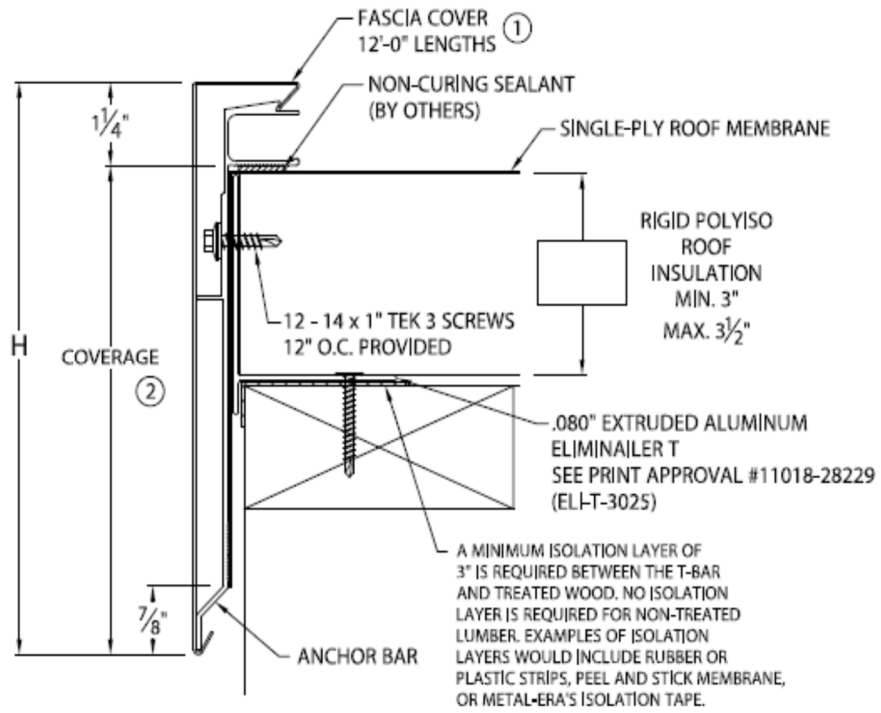
**PRESTO-TITE HG FASCIA-SINGLE PLY VERSION**





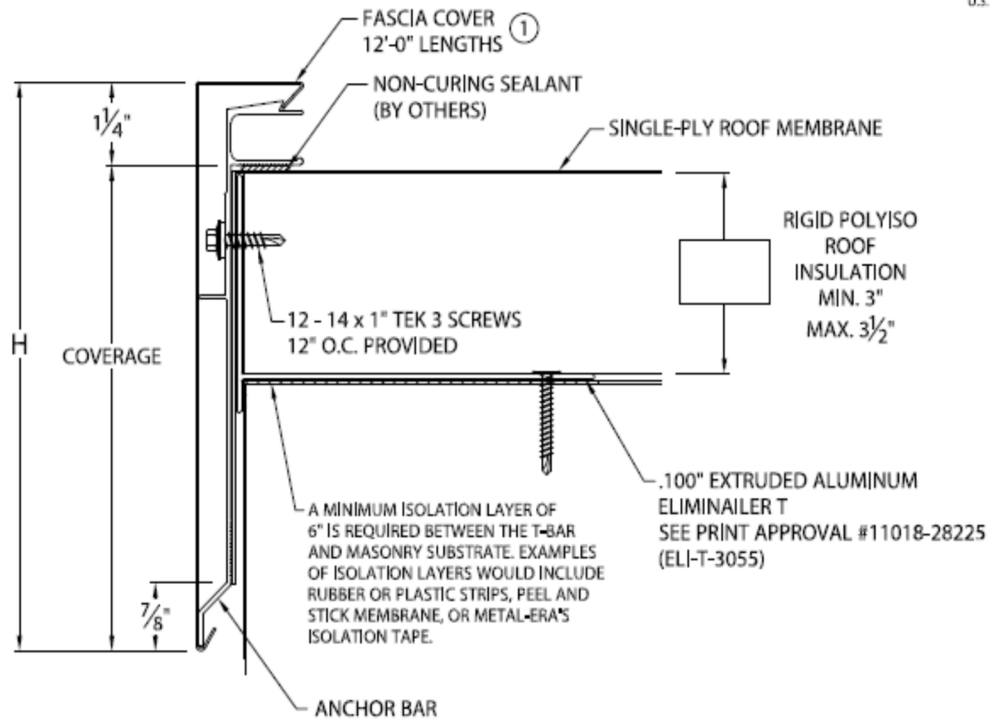
**PRESTO-TITE HG FASCIA-B.U.R./MODIFIED VERSION**





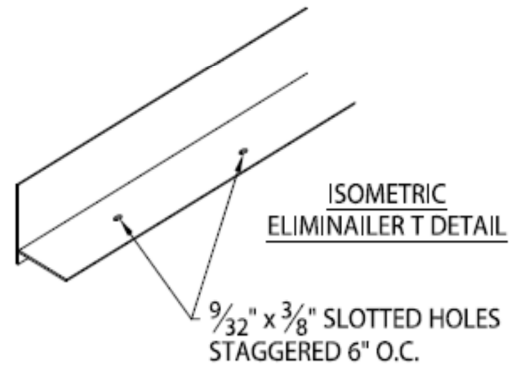
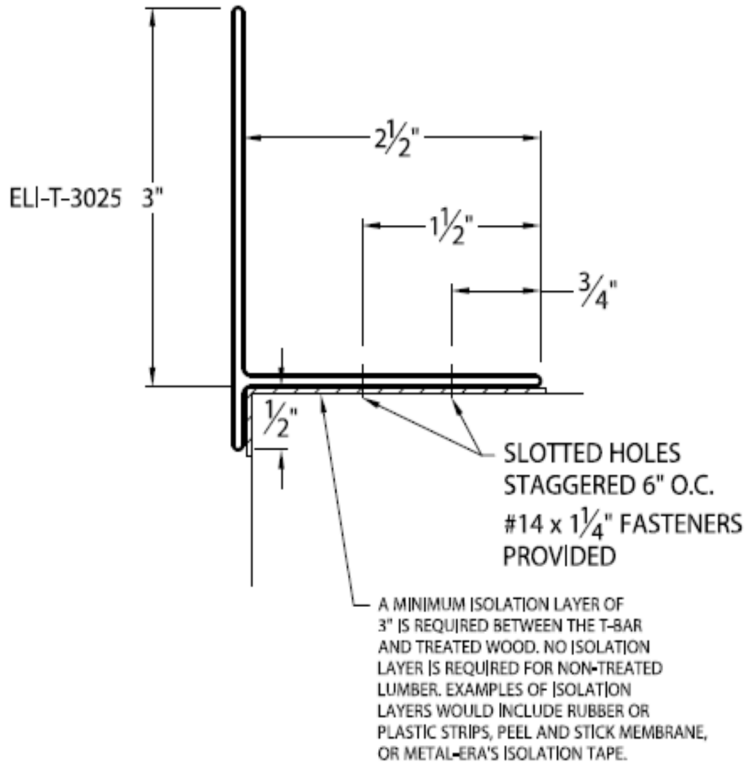
**PRESTO-TITE HG FASCIA-SINGLE PLY & B.U.R/MODIFIED WITH JM ELIMINAIRER-T**



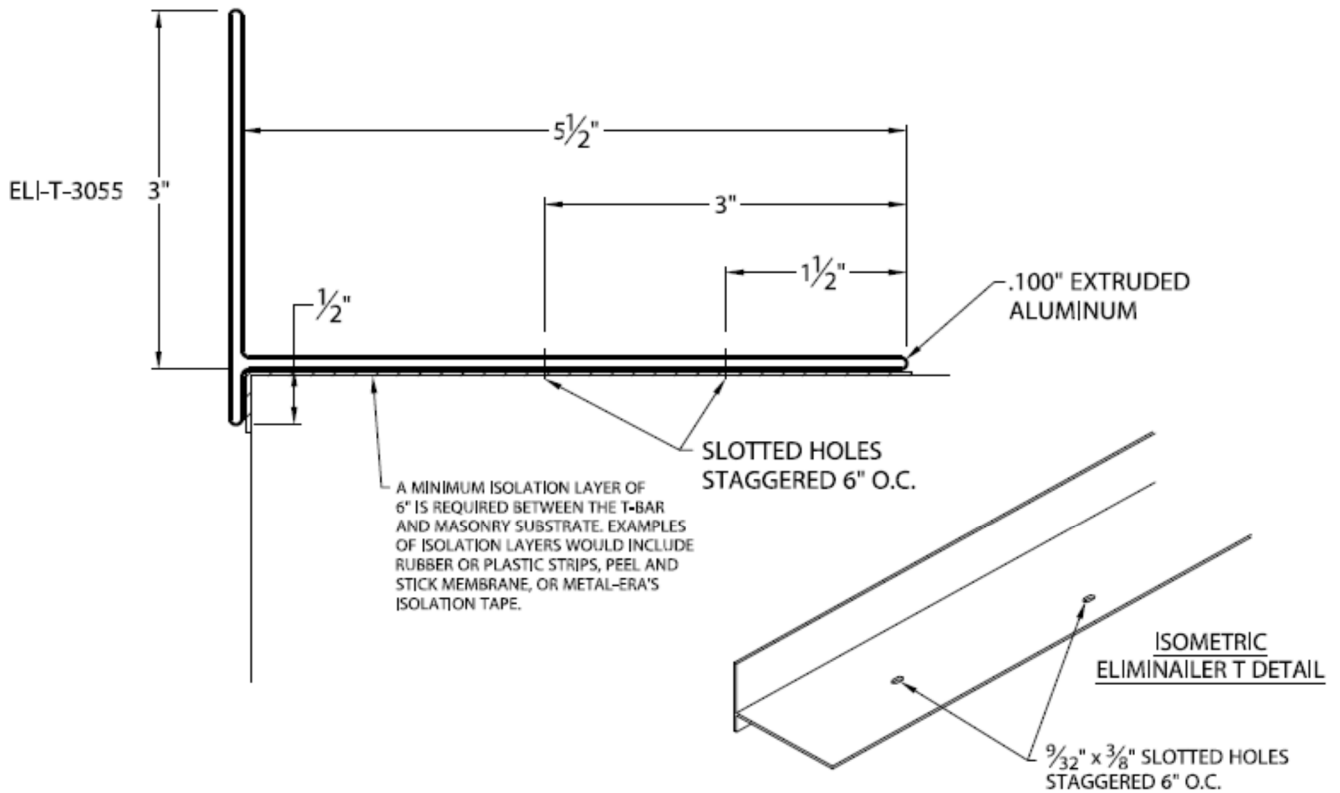


**PRESTO-TITE HG FASCIA-SINGLE PLY & B.U.R/MODIFIED WITH JM ELIMINAILER-T  
(CONTINUE)**



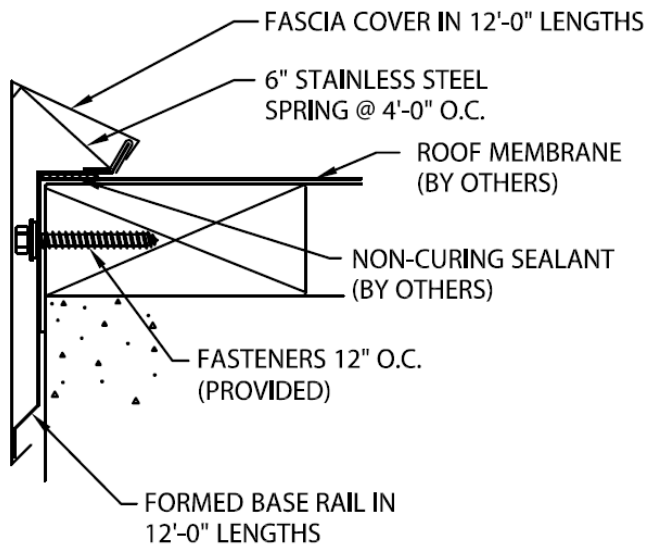


### JM ELIMINAILER-T (SUB-ASSEMBLY PERFORMANCE)



**JM ELIMINAILER-T (SUB-ASSEMBLY PERFORMANCE)**  
**(CONTINUE)**

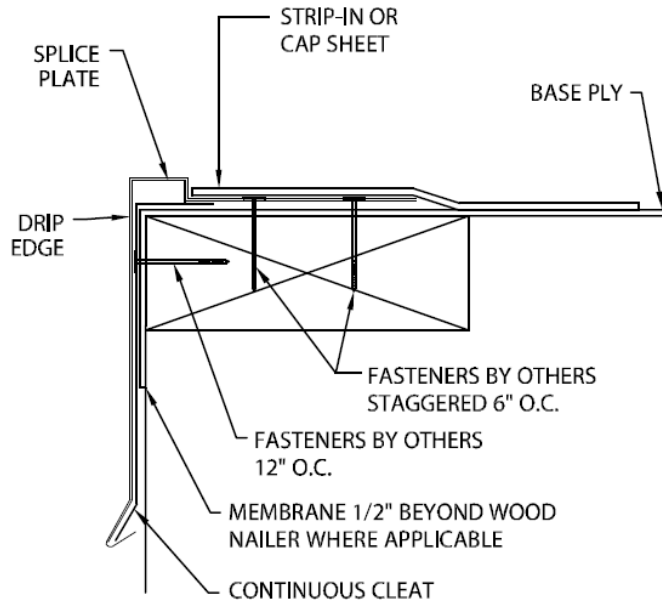
**TYPICAL INSTALLATION FOR 12'-0" STRAIGHT COVER**



**PRESTO-TITE EDGE ONE MB FASCIA OR PRESTO-TITE EDGE ONE SP FASCIA**

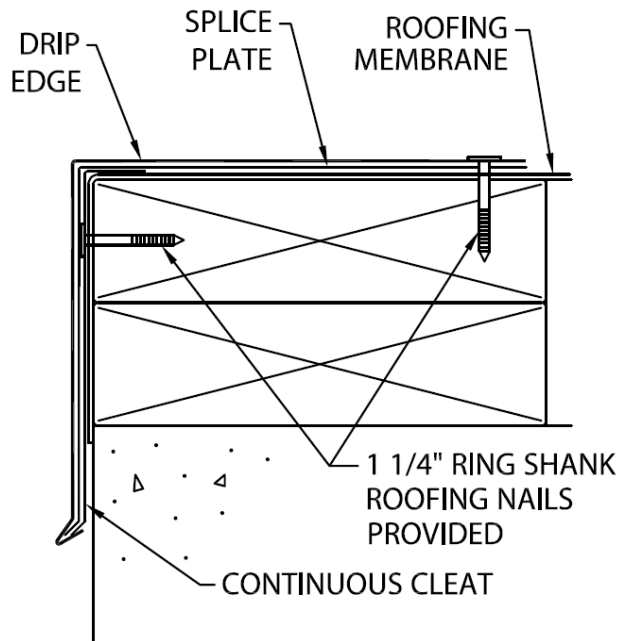


### TYPICAL INSTALLATION



### FLASH-THROUGH DRIP EDGE

### TYPICAL INSTALLATION

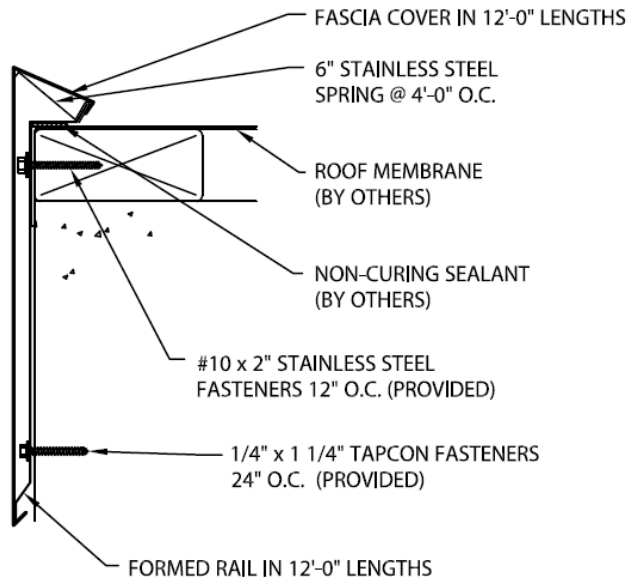


### JM DRIP EDGE



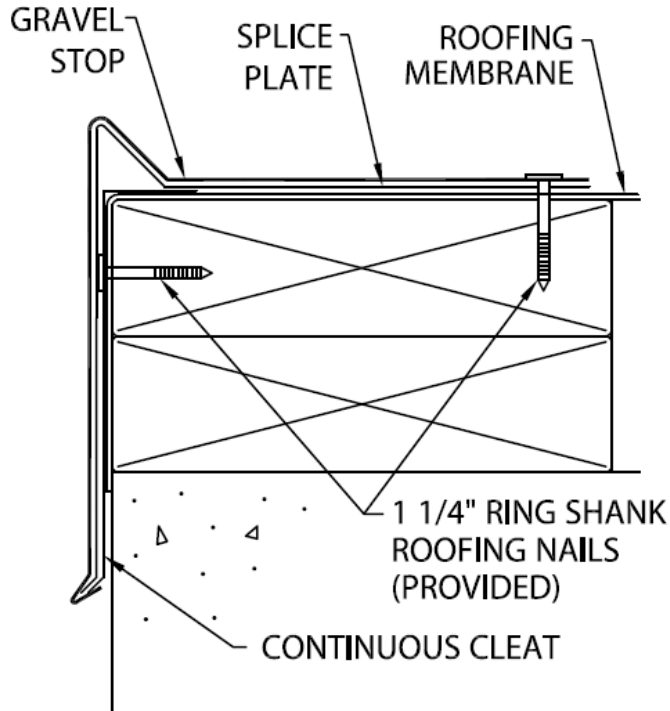


TYPICAL INSTALLATION FOR 12'-0" STRAIGHT COVER



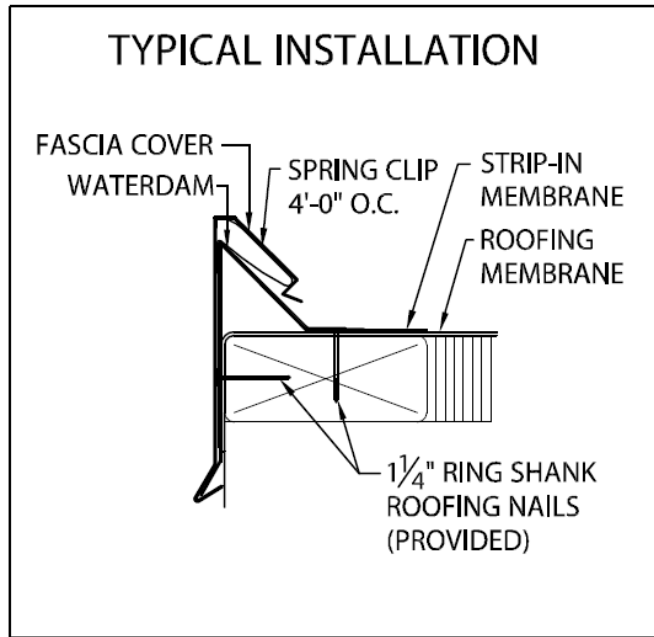
**PRESTO-TITE EDGE ONE EXTENDED FASCIA**

TYPICAL INSTALLATION

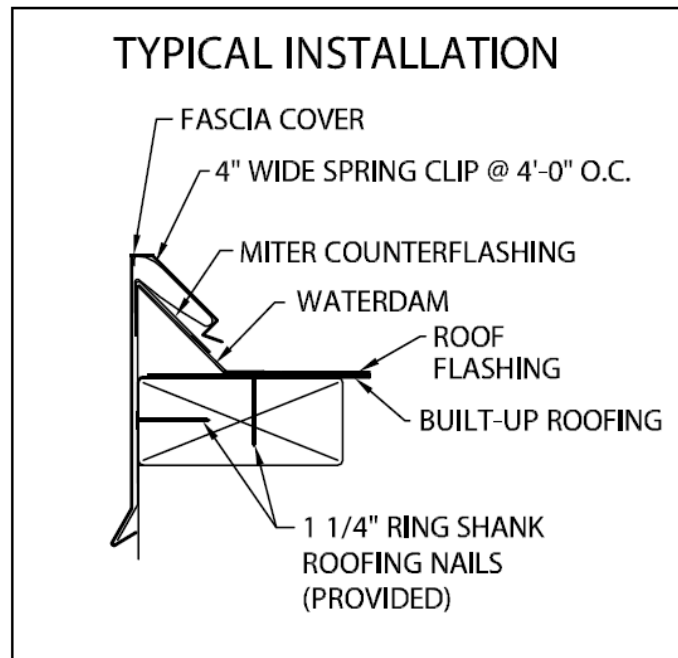


**JM GRAVEL STOP**

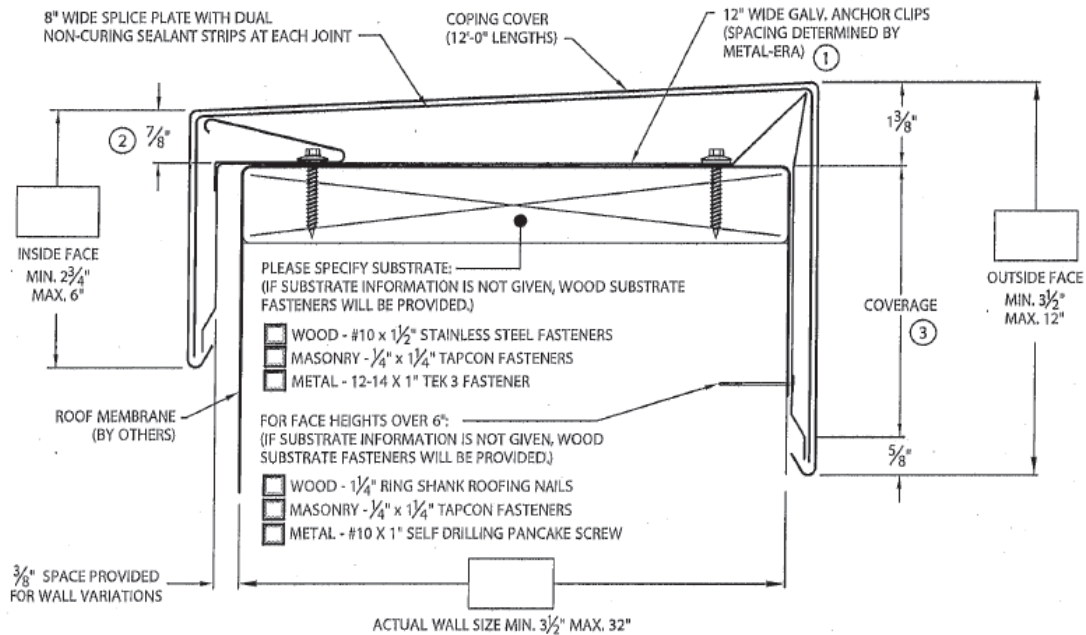




**JM SYSTEM 200 FASCIA, SINGLE PLY, CRIMP-ON OR SNAP-ON**

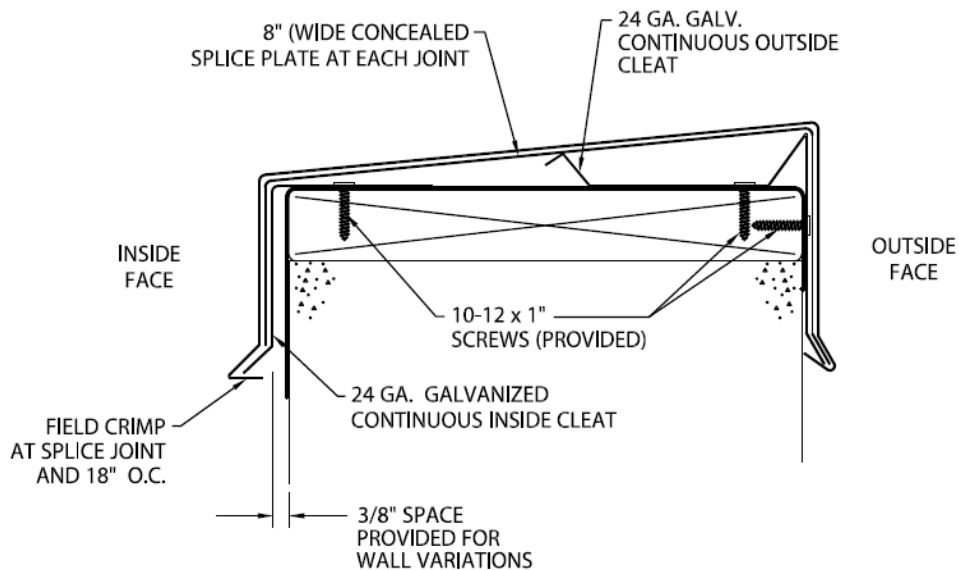


**JM SYSTEM 300 FASCIA, MODIFIED, SNAP-ON**



### PRESTO-LOCK FLUSH FACE COPING

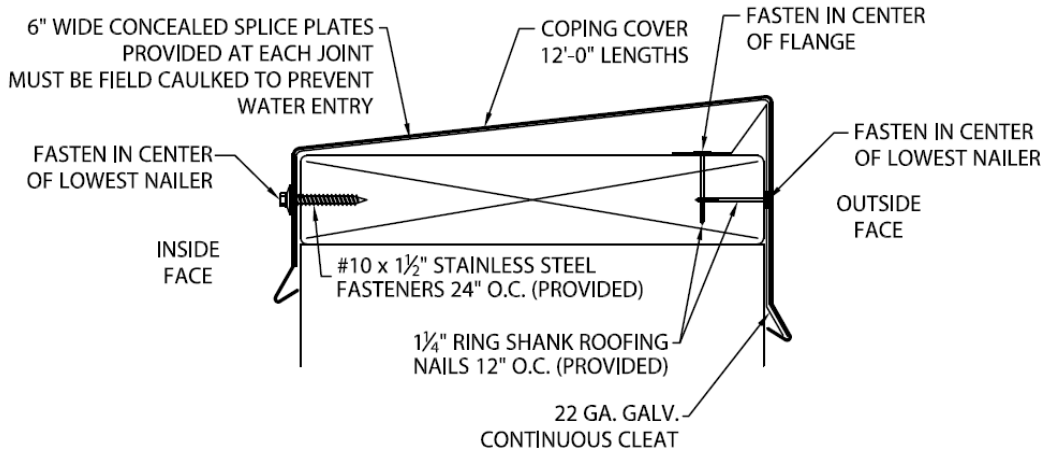
### TYPICAL INSTALLATION



### PRESTO-LOCK CONTINUOUS CLEAT COPING

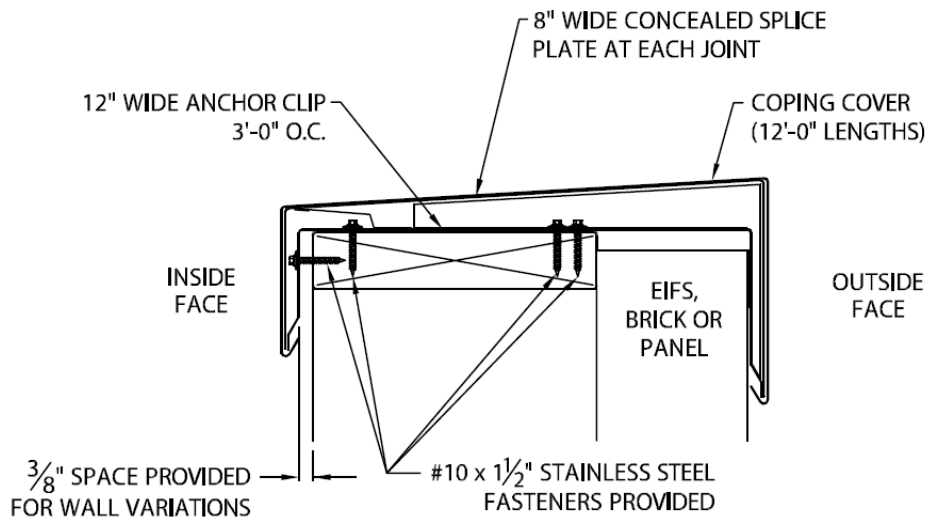


## TYPICAL INSTALLATION DETAIL A



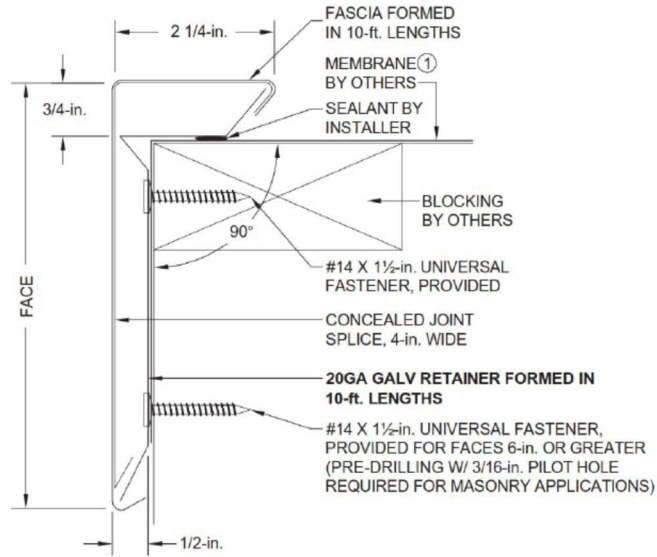
### **PRESTO-LOCK CONTINUOUS 16 GA CLEAT COPING (TAPERED, FLAT AND EXISTING SLOPE)**

#### TYPICAL COPING INSTALLATION



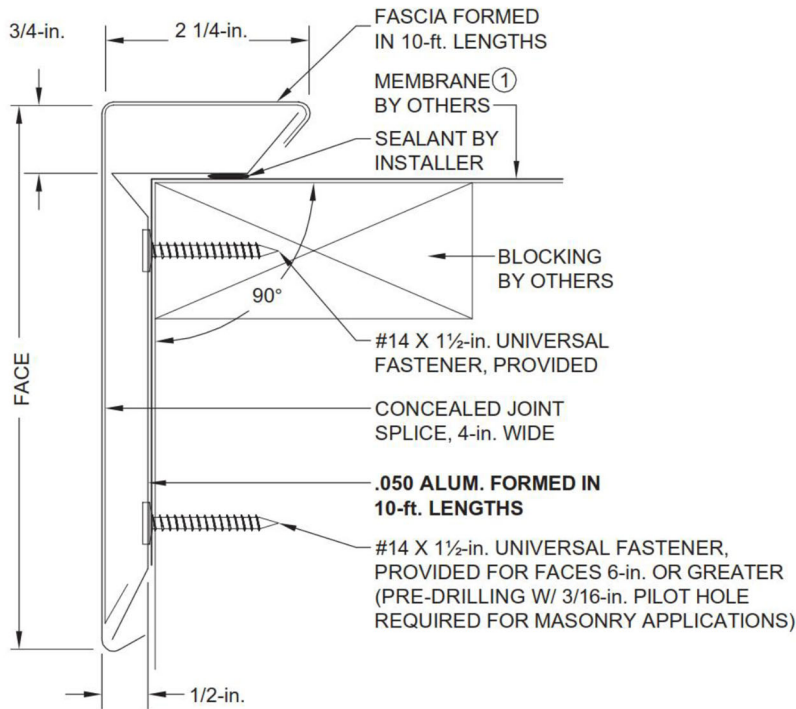
### **PRESTO-LOCK GOLD COPING**





① Coordinate installation with membrane manufacturer.

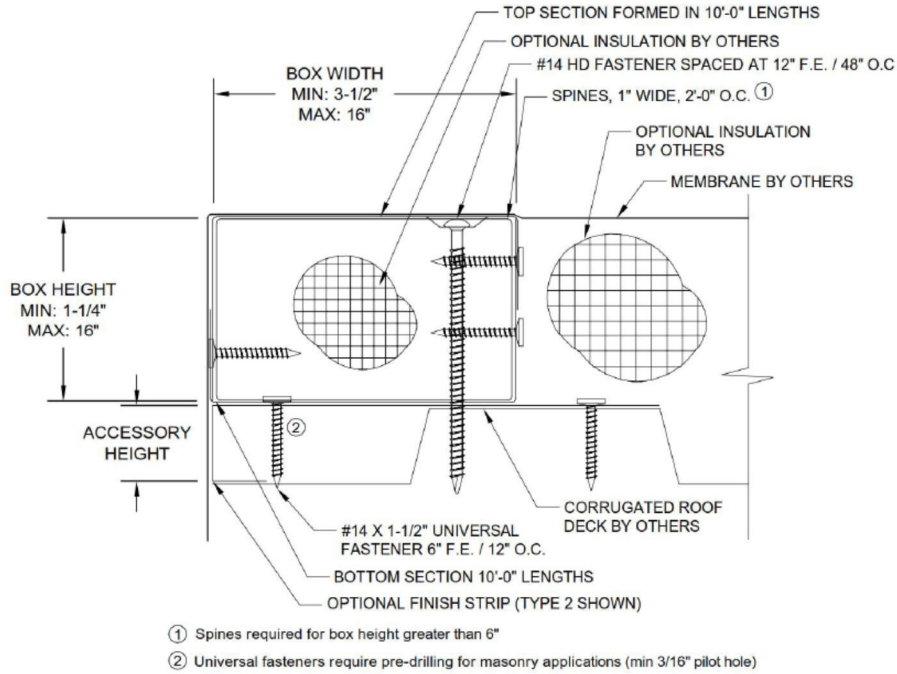
### PRESTO-TITE INSTANT FASCIA (GALV CLEAT)



① Coordinate installation with membrane manufacturer.

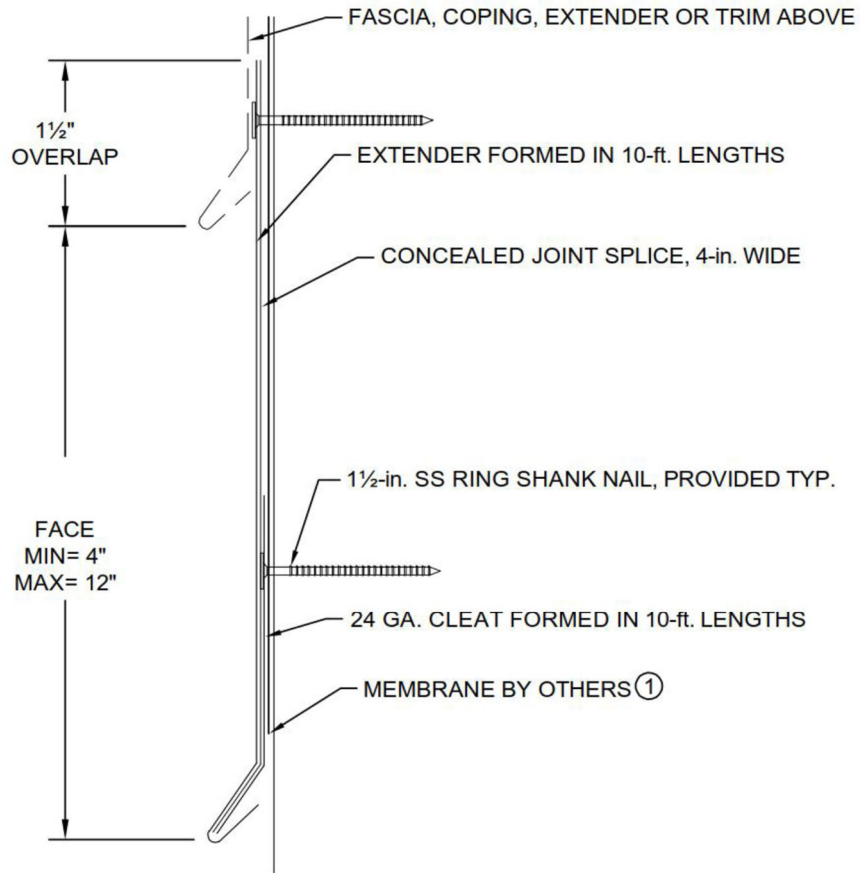
### PRESTO-TITE INSTANT FASCIA (AL CLEAT)





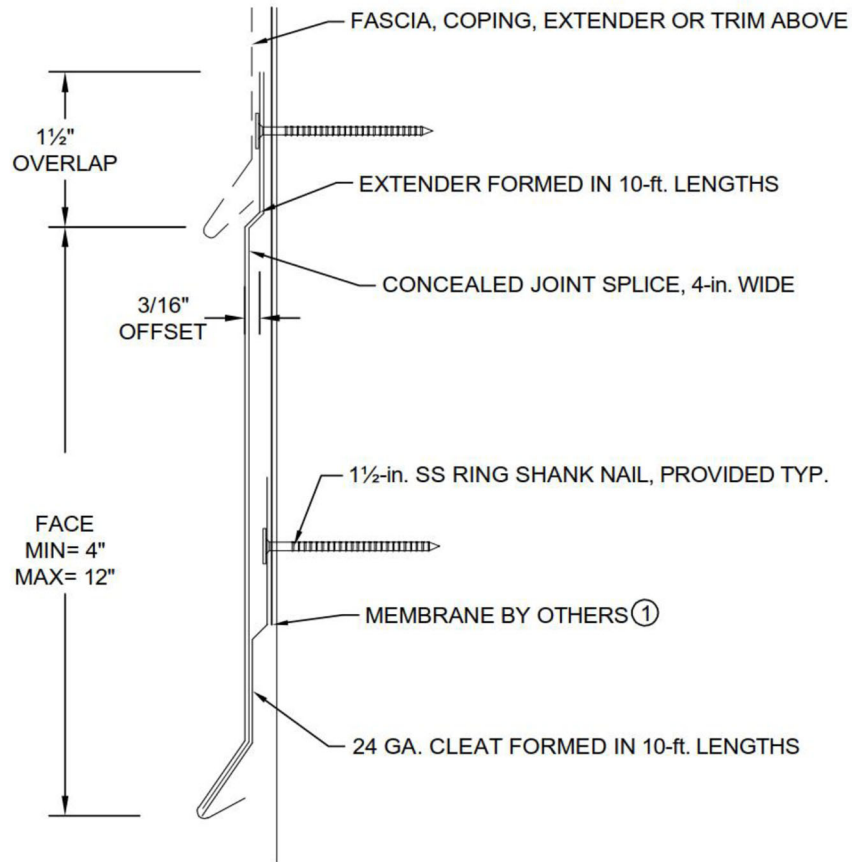
## JM EDGEBOX RI





① Coordinate installation with membrane manufacturer.

### JM EXTENDER

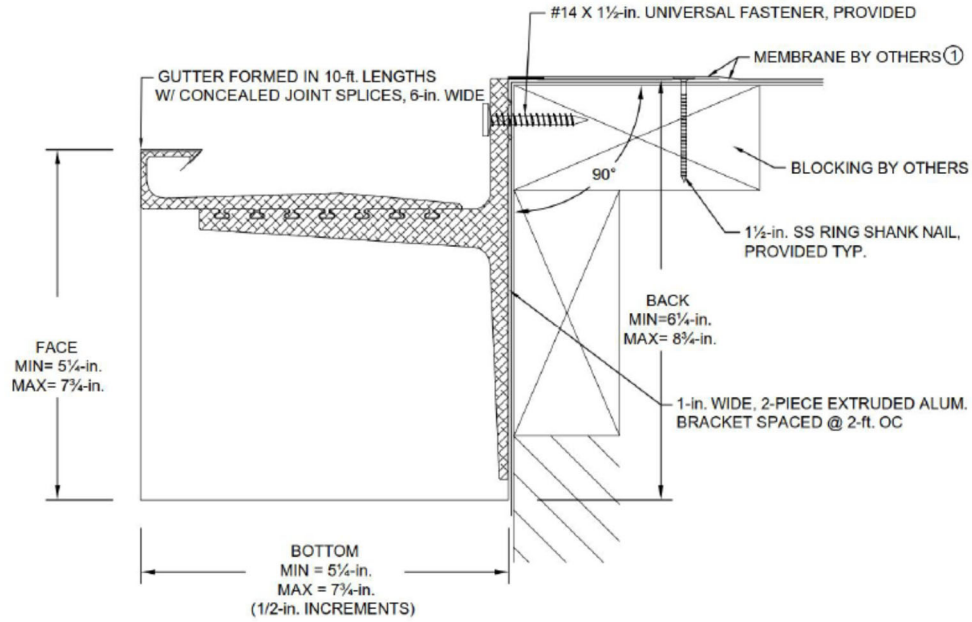


① Coordinate installation with membrane manufacturer.

### JM EXTENDER WITH OFFSET

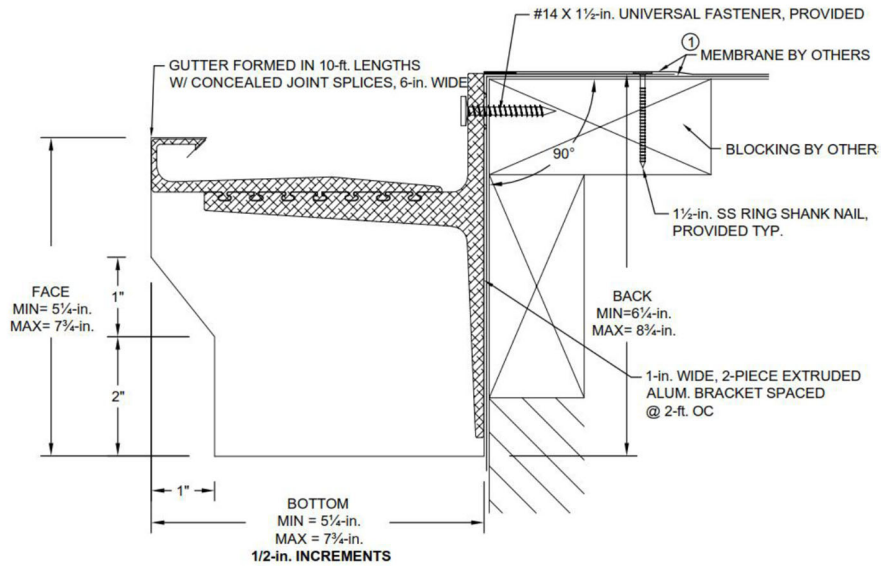






① Coordinate installation with membrane manufacturer.

## JM INDUSTRIAL BOX GUTTER



① Coordinate installation with membrane manufacturer.

## JM INDUSTRIAL OFFSET GUTTER

END OF THIS ACCEPTANCE