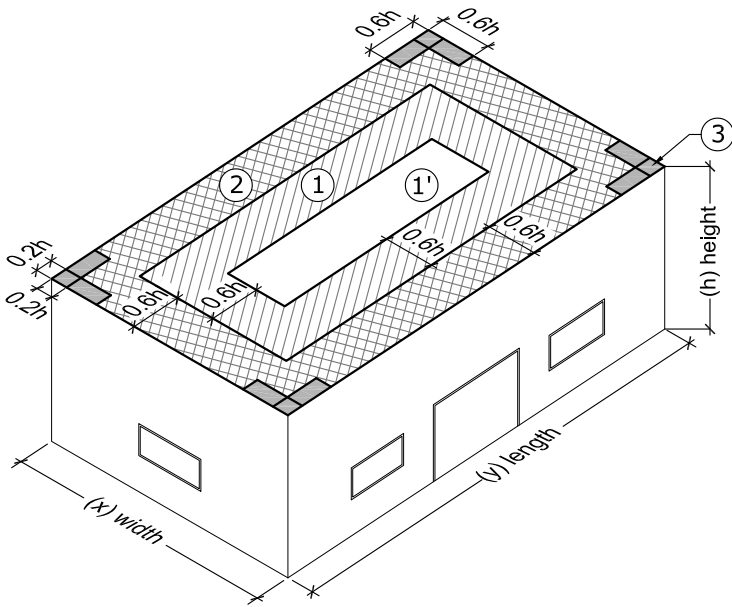
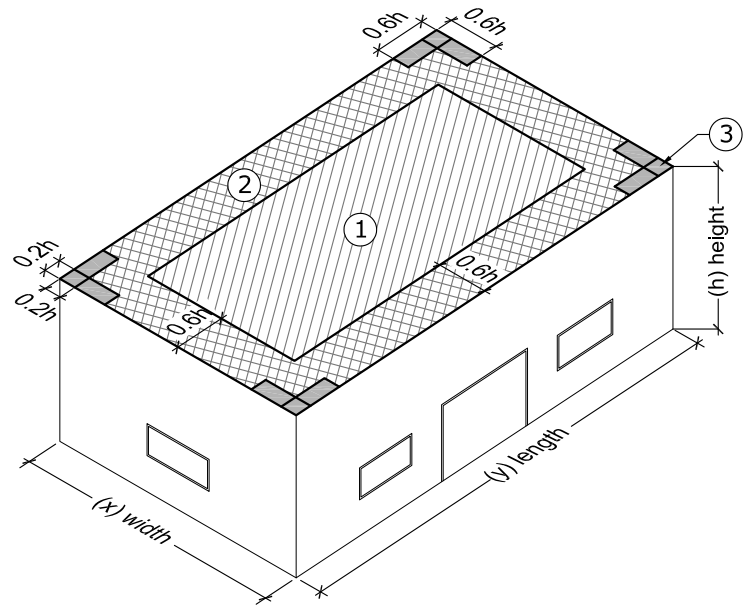


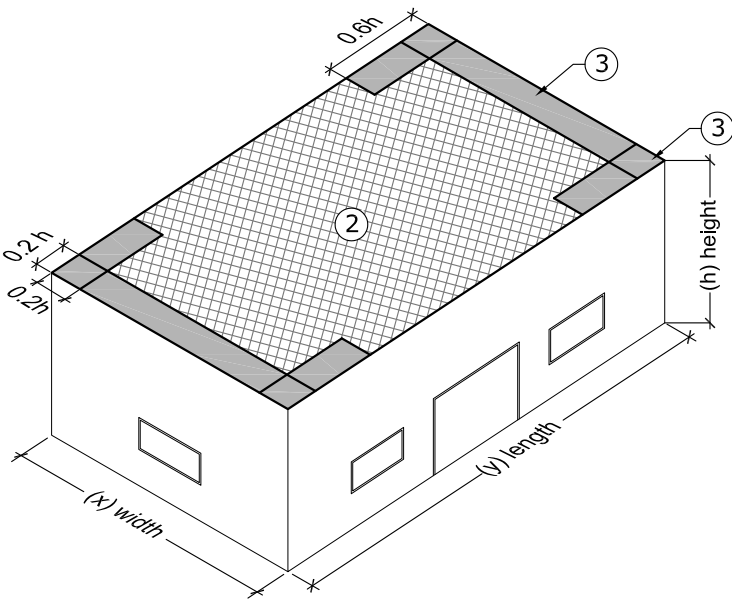
FOUR POSSIBLE SCENARIOS FOR ROOF ZONES DEPENDING ON THE RATIOS OF PLAN DIMENSIONS TO ROOF HEIGHT



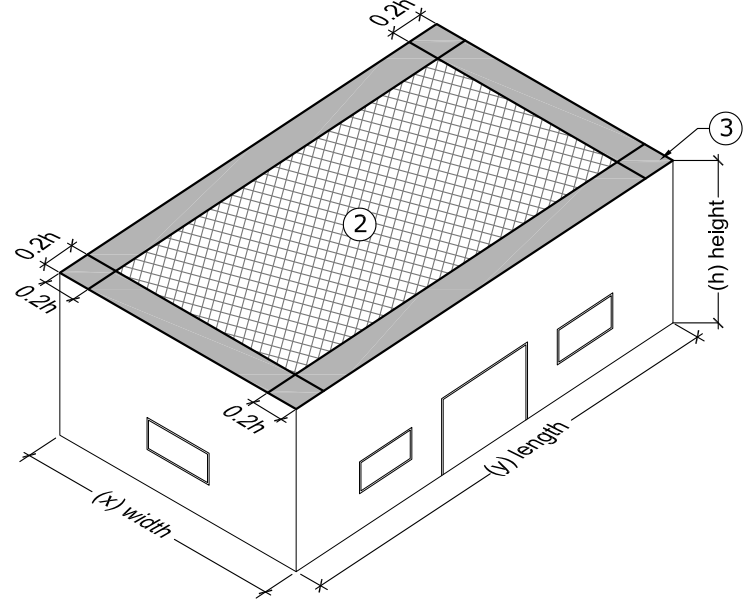
ASCE 7-16 BUILDING HEIGHT LESS THAN 60 FT. (4 ZONES)
BUILDINGS WITH WIDTH (X) DIMENSION $> 2.4h = (X > 2.4H)$



ASCE 7-16 BUILDING HEIGHT LESS THAN 60 FT. (3 ZONES)
BUILDINGS WITH WIDTH (X) DIMENSION $> 1.2h$
BUT $< 2.4h = (X > 1.2H \text{ BUT } X < 2.4H)$



ASCE 7-16 BUILDING HEIGHT LESS THAN 60 FT. (2 ZONES)
BUILDINGS WITH WIDTH (X) DIMENSION $< 1.2h$ AND
LENGTH (Y) $> 1.2h = (X < 1.2H \text{ AND } Y > 1.2H)$



ASCE 7-16 BUILDING HEIGHT LESS THAN 60 FT. (2 ZONES)
BUILDINGS WITH LENGTH (Y) DIMENSION $< 1.2h = (Y < 1.2H)$

ASCE 7-16 BUILDING HEIGHT LESS THAN 60 FT. ZONES

- ①' FIELD PRIME REMAINING ROOF FIELD
- ① FIELD 0.6 TIMES HEIGHT OF THE BUILDING (0.6h).
- ② PERIMETER 0.6 TIMES THE HEIGHT OF THE BUILDING (0.6h).
- ③ CORNER "L" SHAPE 0.6 TIMES THE HEIGHT OF THE BUILDING (0.6h) IN LENGTH AND 0.2 TIMES THE HEIGHT OF THE BUILDING (0.2h) WIDE.

DRAWING NO.

RZ-FP-01

ROOF ZONES

SCALE
N.T.S

ISSUE DATE
10-26-21

ASCE 7-16: ROOF ZONES LESS THAN 60 FT. ROOF HEIGHT

MEMBRANE TYPE:
ASCE 7-16 SINGLE PLY

MAXIMUM GUARANTEE TERM:
N/A

Johns Manville is a manufacturer of commercial roofing products and offers this general conceptual information to you as a courtesy for general educational purposes only. This complimentary assistance is not to be either used or relied upon by anyone as a substitute for professional engineering design and documentation required by any building code, contract, or applicable law. By accepting the general conceptual information, you agree it does not constitute any representations, endorsements of, or an assumption by Johns Manville of any duty or liability for either the adequacy of the design of a building, any of its components or the sufficiency of any construction.

