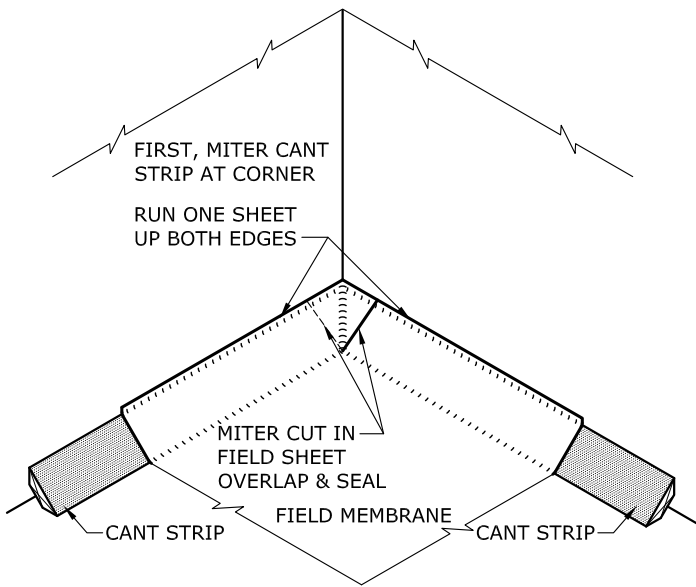
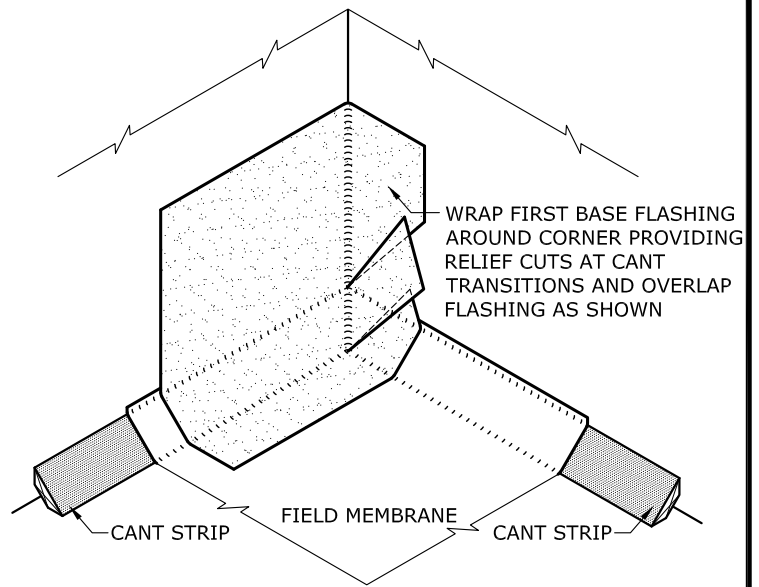


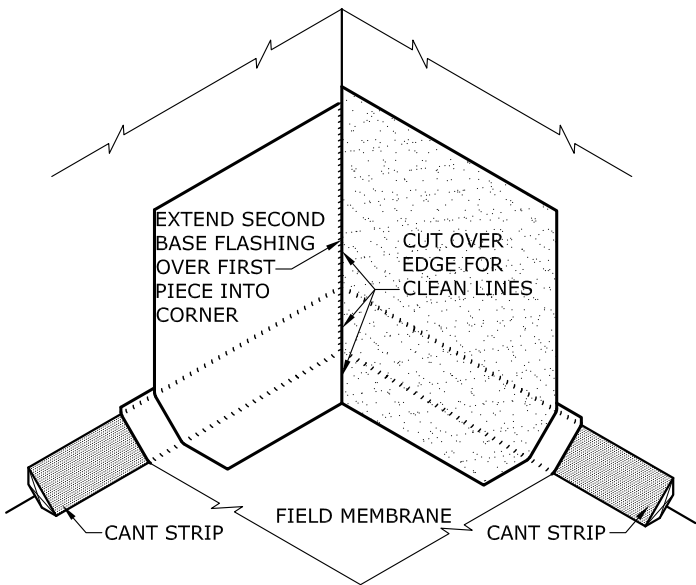
### STEP 1



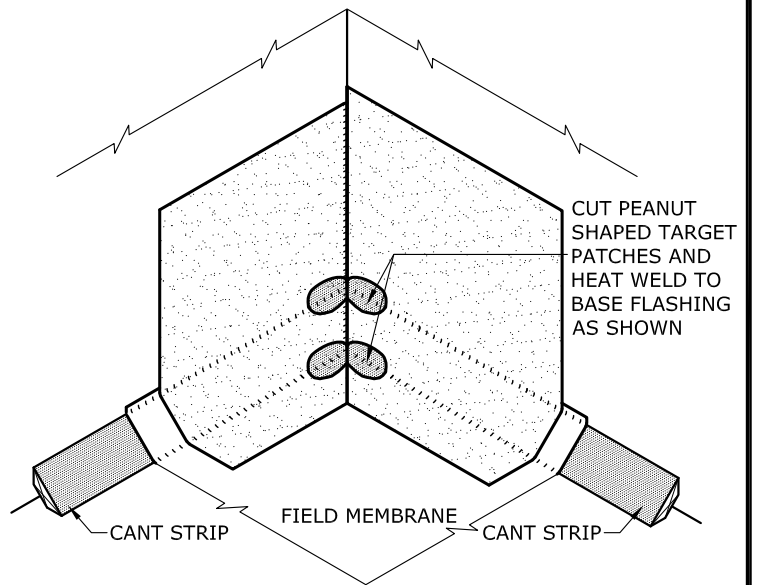
### STEP 2



### STEP 3



### STEP 4



PLAN VIEW OF PEANUT SHAPED TARGET PATCH

**NOTES:**

1. SBS HEAT WELDED FLASHINGS CAN ONLY BE USED WITH SBS OR BUR SYSTEMS. APP HEAT WELDED FLASHINGS CAN ONLY BE USED WITH APP OR BUR SYSTEMS. (PLEASE REFER TO THE APPROPRIATE TABLE IN THE BITUMINOUS FLASHING SPECIFICATION INDICATING ACCEPTABLE FLASHING PRODUCTS FOR EACH OF THE SBS OR APP HEAT WELDED SYSTEMS.)
2. 3-COURSING WITH MBR UTILITY CEMENT & FABRIC OR MBR FLASHING CEMENT & FABRIC MAY BE USED IN LIEU OF TARGET PATCHES ALONG EDGE OF BASE FLASHING. REFER TO DETAIL DFE 26.
3. PLEASE SEE BITUMINOUS FLASHING SPECIFICATIONS FOR A FULL DESCRIPTION OF INSTALLATION INSTRUCTIONS AND REQUIREMENTS WHICH ARE CONSIDERED A PART OF THIS DETAIL
4. CAUTION: IMPROPER USE OF THESE MATERIALS AND APPLICATION EQUIPMENT CAN RESULT IN SEVERE BURNS, AND/ OR DAMAGE TO PROPERTY. THE MECHANIC MUST INSTALL THESE MATERIALS USING THE TECHNIQUES RECOMMENDED BY JM AND THOSE FOUND IN THE CERTIFIED ROOFING TORCH APPLICATOR (CERTA) PROGRAM AVAILABLE THROUGH THE NATIONAL ROOFING CONTRACTORS ASSOCIATION.

DRAWING NO.

**HW-27**

CURB & CORNER

## BASE FLASHING AT INSIDE CORNER

MEMBRANE TYPE:  
BUR

MAXIMUM GUARANTEE TERM:

SCALE: N.T.S.  
ISSUE DATE: 02-08-19

Johns Manville is a manufacturer of commercial roofing products and offers this general conceptual information to you as a courtesy. This complimentary assistance is not to be used or relied upon by anyone as a substitute for professional engineering design and documentation required by building code, contract, or applicable law. By accepting these comments you agree they do not constitute any representations, endorsements of, or an assumption by Johns Manville of any liability for either the adequacy of the design of this building or any other material not supplied by Johns Manville.

