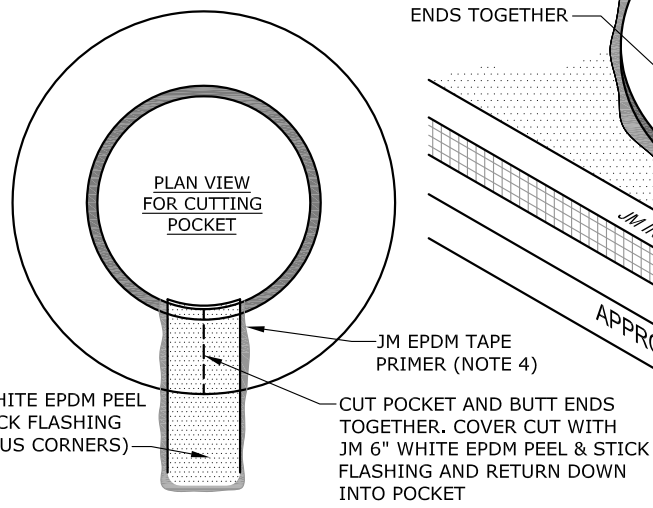
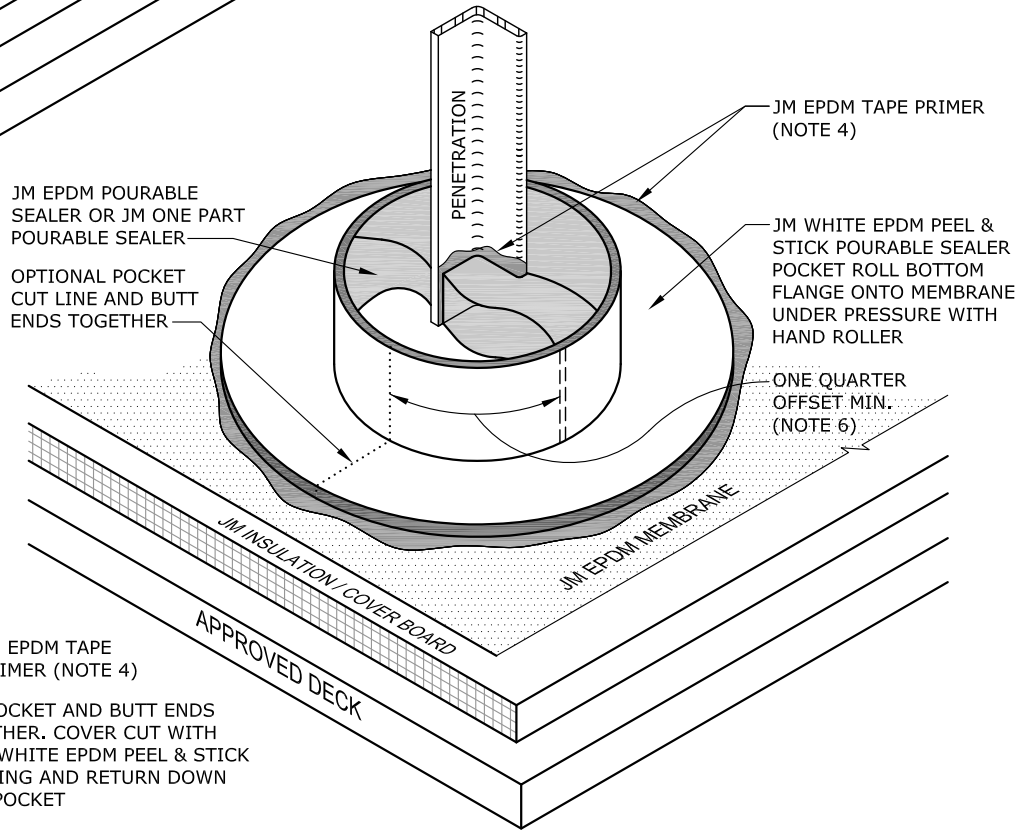


- NOTES:**
1. REFER TO JOHNS MANVILLE WEBSITE (www.jm.com) FOR MOST UP TO DATE INFORMATION.
 2. PLEASE SEE SINGLE PLY FLASHING SPECIFICATIONS FOR A FULL DESCRIPTION OF INSTALLATION INSTRUCTIONS AND REQUIREMENTS WHICH ARE CONSIDERED A PART OF THIS DETAIL.
 3. ANY CARPENTRY OR METAL WORK SHOULD BE DESIGNED AND CONSTRUCTED IN ACCORDANCE WITH LOCAL CODE REQUIREMENTS AND/OR PROJECT SPECIFICATIONS. THESE COMPONENTS SHOULD BE REVIEWED AND APPROVED BY A LICENSED DESIGN PROFESSIONAL.
 4. JM EPDM TAPE PRIMER MUST BE APPLIED ON ALL SURFACES COMING INTO CONTACT WITH JM EPDM PEEL & STICK FLASHING.
 - JM WHITE EPDM MEMBRANE REQUIRES: JM TPO MEMBRANE PRIMER OR JM SINGLE PLY MEMBRANE PRIMER (LOW VOC).
 5. MAINTAIN 2" MIN. CLEARANCE FROM PENETRATION TO EDGE OF SEALER POCKET.
 6. ONE QUARTER OFFSET MINIMUM BETWEEN OPTIONAL POCKET CUT AND RIGID INNER SUPPORT RING ADJUSTMENT BREAK
 7. ALL SEALANTS / CAULKING SHALL BE PERIODICALLY INSPECTED AND MAINTAINED BY THE BUILDING OWNER THROUGHOUT THE LIFE OF THE ROOF.
 8. PRIME INSIDE OF SEALER POCKET WITH EPDM TAPE PRIMER OR JM SINGLE PLY MEMBRANE PRIMER (LOW VOC).
 9. THIS DETAIL IS ALSO APPROVED FOR MULTIPLE PENETRATIONS PROVIDED THE 2" CLEARANCE IS MAINTAINED.



DRAWING NO.
E-FP-08
 PENETRATION
 SCALE N.T.S.
 ISSUE DATE 02-15-24

JM WHITE EPDM POURABLE SEALER POCKET
 MEMBRANE TYPE:
 JM WHITE EPDM
 MAXIMUM GUARANTEE TERM:
 20 YEAR

Johns Manville is a manufacturer of commercial roofing products and offers this general conceptual information to you as a courtesy for general educational purposes only. This complimentary assistance is not to be either used or relied upon by anyone as a substitute for professional engineering design and documentation required by any building code, contract, or applicable law. By accepting the general conceptual information, you agree it does not constitute any representations, endorsements of, or an assumption by Johns Manville of any duty or liability for either the adequacy of the design of a building, any of its components or the sufficiency of any construction.

