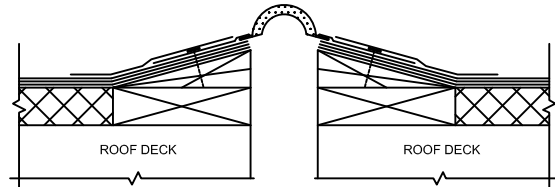


**EXPAND-O-FLASH  
ROOF TO ROOF  
FLANGE STYLE EJ  
INSTALLATION INSTRUCTIONS**



GENERAL SECTION VIEW

**SEE INSTALLATION ADDENDUM 'A' FOR BELLOWS SIZES 18" AND GREATER**

**STEP 1**

**NOTE:** STEP 1 NOT REQUIRED FOR EXPAND-O-FLASH MATERIAL PROVIDED IN 10' LENGTHS

DO NOT CUT BELLOWS MATERIAL WHILE PROVIDING EXPANSION SLOTS.

CUT SLOTS IN METAL FLANGES AT 25'-0" O.C. FOR ALUMINUM, STAINLESS STEEL AND COPPER FLANGES; AT 50'-0" O.C. FOR GALVANIZED STEEL FLANGES. BE SURE TO REMOVE ALL OF THE METAL FLANGE AT EACH SIDE OF BELLOWS.

FOR ROLLED EXPAND-O-FLASH PRODUCTS; CUT SLOTS IN METAL FLANGES TO ALLOW EXPANSION. CUT SLOTS AT 25'-0" ON-CENTER FOR ALUMINUM, STAINLESS STEEL AND COPPER FLANGES; AT 50'-0" ON-CENTER FOR GALVANIZED STEEL FLANGES. PROVIDE FULL SPLICE AT EACH OF THESE LOCATIONS AS DESCRIBED IN THE EXPAND-O-FLASH SPLICING INSTALLATION INSTRUCTIONS BELOW.

**STEP 2**

MANUFACTURERS APPROVED ROOFING SYSTEM

SNAP CHALK LINE 4" FROM FACE OF JOINT OPENING. TYPICAL @ EACH SIDE OF JOINT OPENING.

APPROVED CONTINUOUS WOOD CANT WITH 15° (MIN) ANGLE. TYPICAL @ EACH SIDE.

APPLY MEMBRANE COMPATIBLE MASTIC ON FIRST AREA TO RECEIVE EXPAND-O-FLASH METAL FLANGE. (INSTALL ONE EXPAND-O-FLASH FLANGE AT A TIME)

JOINT OPENING

SNAP CHALK LINE 4" FROM FACE OF JOINT OPENINGS, TYPICAL @ EACH SIDE OF JOINT OPENING. APPLY MEMBRANE COMPATIBLE MASTIC ON 4" WIDE AREA OVER WOOD CANT TO RECEIVE EXPAND-O-FLASH METAL FLANGE. INSTALL ONE EXPAND-O-FLASH FLANGE AT A TIME.

**STEP 3**

MANUFACTURERS APPROVED ROOFING SYSTEM

EXPAND-O-FLASH (EJ STYLE) W/ INTEGRAL 4" METAL FLANGES.

SET EXPAND-O-FLASH METAL FLANGE IN MASTIC AND NAIL TO WOOD CANT WITH 1 1/4" ROOFING NAILS @ 4" O.C. START NAILS 1" FROM FLANGE END.

FLANGE END

1"

4"

JOINT OPENING

SET EXPAND-O-FLASH FLANGE IN MEMBRANE COMPATIBLE MASTIC AND NAIL TO WOOD CANT W/ (1) 1 1/4" ROOF NAIL @ 4" O.C. START NAILS 1" FROM FLANGE END. \*REPEAT STEPS 1 THRU 3 FOR OPPOSITE EXPAND-O-FLASH FLANGE, BEING CAREFUL TO ALIGN 2ND FLANGE WITH CHALK LINE TO ALLOW PROPER BELLOWS SHAPE.

**STEP 4**

MANUFACTURERS APPROVED ROOFING SYSTEM

1/2"

INSTALL ADDITIONAL LENGTHS OF EXPAND-O-FLASH LEAVING 1/2" GAP BETWEEN ENDS OF EXPAND-O-FLASH SECTIONS.

JOINT OPENING

REPEAT STEPS 1 THRU 3 FOR REMAINING SECTIONS OF EXPAND-O-FLASH BEING SURE TO PROVIDE 1/2" GAP BETWEEN ENDS OF EXPAND-O-FLASH SECTIONS. PROVIDE FULL SPLICE AT EACH OF THESE LOCATIONS AS DESCRIBED IN THE EXPAND-O-FLASH SPLICING INSTALLATION INSTRUCTIONS BELOW.

**EXPAND-O-FLASH SPLICING  
INSTALLATION INSTRUCTIONS**

**GENERAL NOTES:**

- THESE INSTALLATION INSTRUCTIONS REPRESENT THE CORRECT INSTALLATION PROCEDURE FOR A 6" WIDE SPLICE TAB WHICH IS INCLUDED FOR BELLOWS SIZES 4" THRU 12". THE DIMENSIONS INDICATED IN THESE INSTRUCTIONS MUST BE ADJUSTED ACCORDINGLY FOR BELLOWS SIZES LARGER THAN 12" WHICH WILL INCLUDE A 9" WIDE SPLICE TAB.

**STEP 'A'**

1/2"

MEASURE 3" TO EACH SIDE OF 1/2" GAP BETWEEN EXPAND-O-FLASH LENGTHS. USING PROVIDED BRUSH PRIME METAL FLANGES AND BELLOWS. ALLOW PRIMER TO DRY TO TACK FREE.

JOINT OPENING

MEASURE 3" TO EACH SIDE OF 1/2" GAP BETWEEN EXPAND-O-FLASH LENGTHS. USING PROVIDED BRUSH PRIME METAL FLANGES AND BELLOWS. ALLOW PRIMER TO DRY TO TACK FREE. TYPICAL @ EACH SPLICE LOCATION.

**STEP 'B'**

1/2"

**NOTE:** SPLICE TAB SHOULD EXTEND 4" BEYOND FLANGES FOR ROOF TO ROOF EJ STYLE FLANGE INSTALLATIONS. SPLICE TAB CAN BE TRIMMED AT TOP OF WALL FLANGE FOR ROOF TO WALL INSTALLATIONS.

DURING INSTALLATION OF SPLICE TAB, BE SURE TO GENTLY WORK SPLICE TAB INTO EACH "CORNER" TO MINIMIZE THE CREATION OF GAPS BETWEEN THE SPLICE TAB AND PRODUCT.

INSTALL PROVIDED 6" WIDE PEEL AND STICK SPLICE TAB. REMOVE PAPER BACKING AHEAD OF SPLICE TAB APPLICATION.

JOINT OPENING

INSTALL PROVIDED 6" WIDE PEEL AND STICK SPLICE TAB. REMOVE PAPER BACKING AHEAD OF SPLICE TAB APPLICATION BEING SURE NOT TO STRETCH THE SPLICE TAB AND WORKING IT INTO EACH CREVICE. SPLICE TAB MUST EXTEND AN ADDITIONAL 4" (MINIMUM) BEYOND FLANGE ON ROOF SIDE.

**STEP 'C'**

DRAG

1/2"

APPLY 1/4" x 1" LONG BEAD OF CAULKING BEGINNING AT THE EDGE OF THE SPLICE TAB AND WORKING OUT. USING THE PROVIDED WOODEN DEPRESSOR, GENTLY DRAG THE CAULKING TOWARD CENTER OF THE SPLICE TAB TO ENSURE ANY GAPS BETWEEN THE SPLICE TAB AND EXPAND-O-FLASH ARE FILLED.

JOINT OPENING

APPLY 1/4" x 1" LONG BEAD OF CAULKING BEGINNING AT THE EDGE OF THE SPLICE TAB AND WORKING OUT. USING THE PROVIDED WOODEN DEPRESSOR, GENTLY DRAG THE CAULKING TOWARD CENTER OF THE SPLICE TAB TO ENSURE ANY GAPS BETWEEN THE SPLICE TAB AND EXPAND-O-FLASH ARE FILLED. TYPICAL @ FOUR LOCATION PER SPLICE TAB AND TYPICAL @ EACH SPLICED LOCATION.

**STEP 'D'**

1/2"

FOR ROOF TO WALL INSTALLATIONS PROVIDE CONTINUOUS COUNTERFLASHING (BY OTHERS) OVER WALL FLANGE.

ON EJ STYLE FLAT FLANGE INSTALLATIONS, STRIP IN METAL EXPAND-O-FLASH FLANGE WITH MEMBRANE COMPATIBLE FLASHING.

JOINT OPENING

ON EJ STYLE FLAT FLANGE INSTALLATIONS, STRIP IN METAL EXPAND-O-FLASH FLANGE WITH MEMBRANE COMPATIBLE FLASHING. FOR ROOF TO WALL INSTALLATIONS PROVIDE CONTINUOUS COUNTERFLASHING (BY OTHERS) OVER WALL FLANGE.

**INSTALLATION INSTRUCTION NOTES:**

- INSTALL ALL FACTORY FABRICATED INTERSECTIONS AND TRANSITIONS FIRST. FOLLOW THE APPROPRIATE STEPS INCLUDED IN THESE INSTALLATION INSTRUCTION FOR THESE ITEMS.
- LEAVE 1/2" GAP BETWEEN THE START OF STRAIGHT EXPAND-O-FLASH SECTION AND ALL INTERSECTIONS AND TRANSITIONS. FOR EXPAND-O-FLASH PRODUCT PROVIDED IN 50'-0" OR 100'-0" ROLLS; CUT SLOTS IN METAL FLANGES TO ALLOW FOR THERMAL APPROPRIATE EXPANSION. CUT SLOTS AT 25'-0" ON-CENTER FOR ALUMINUM, STAINLESS STEEL AND COPPER FLANGES; AT 50'-0" ON-CENTER FOR GALVANIZED FLANGES. PROVIDE FULL SPLICE AT THESE LOCATIONS AS DESCRIBED IN THESE INSTALLATION INSTRUCTIONS. DO NOT CUT BELLOWS MATERIAL WHILE PROVIDING EXPANSION SLOTS.
- THE BUILDING/ROOF SURFACES TO WHICH THE EXPAND-O-FLASH IS TO BE INSTALLED SHOULD BE SMOOTH, CLEAN AND FREE OF ANY DIRT AND DEBRIS.
- INSTALL EXPAND-O-FLASH WITH THE FOAM BACKER FACING THE INSIDE OF BUILDING. DO NOT EXPOSE FOAM TO WEATHER.
- SEE SPLICING INSTRUCTIONS ABOVE, FOR TYPICAL
- SEE INSTALLATION ADDENDUM 'A' ON PAGE 2 FOR BELLOWS SIZES 18" AND GREATER

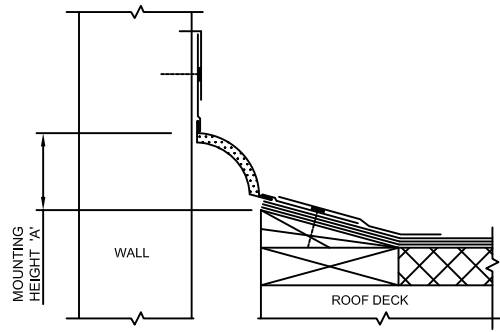
DRAWING NO. <b>INST-EOF-EJ-RR</b>	SCALE NTS	ISSUE DATE 5/14/12	REV. NO. #3 ON 09/10/18
PAGE 1		CAD FILE: EOF INSTALL INSTRUCTIONS.DWG	

**EXPAND-O-FLASH (STYLE EJ; ROOF TO ROOF) INSTALLATION INSTRUCTIONS**

Johns Manville is a Manufacturer of commercial roofing products and offers this general conceptual information to you as a courtesy. This complimentary assistance is not to be used or relied upon by anyone as a substitute for professional engineering design and documentation required by building code, contract, or applicable law. By accepting these comments you agree they do not constitute any representations, endorsements of, or an assumption by Johns Manville of any liability for either the adequacy of the design of this building or any other material not supplied by Johns Manville.



**EXPAND-O-FLASH  
ROOF TO WALL  
FLANGE STYLE EJ  
INSTALLATION INSTRUCTIONS**



GENERAL SECTION VIEW

**SEE INSTALLATION ADDENDUM 'A' FOR BELLOWS SIZES 18" AND GREATER**

**MOUNTING HEIGHT 'A'**

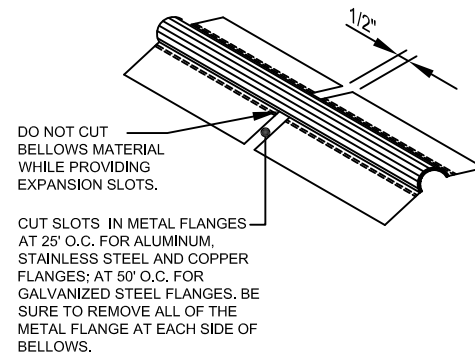
**BELLOWS MOUNTING HEIGHT 'A' FOR ROOF TO WALL ATTACHMENT**

BELLOWS WIDTH	MOUNTING HEIGHT 'A'
4"	2 1/2"
6"	3 3/4"
8"	5 1/8"
10"	6 3/8"
12"	7 1/2"
14"	8 3/4"
16"	10 1/4"
18"	11 1/2"
20"	12 3/4"
22"	14"
24"	15 1/4"

THE MOUNTING HEIGHTS PROVIDED ABOVE ARE APPLICABLE FOR ANY CONDITION IN WHICH THE EXPAND-O-FLASH IS BEING MOUNTED IN A ROOF TO WALL CONDITION.

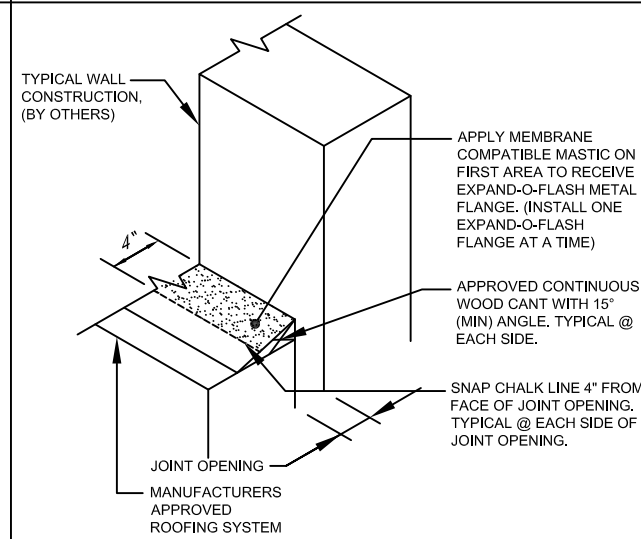
**STEP 1**

**NOTE:** STEP 1 NOT REQUIRED FOR EXPAND-O-FLASH MATERIAL PROVIDED IN 10' LENGTHS



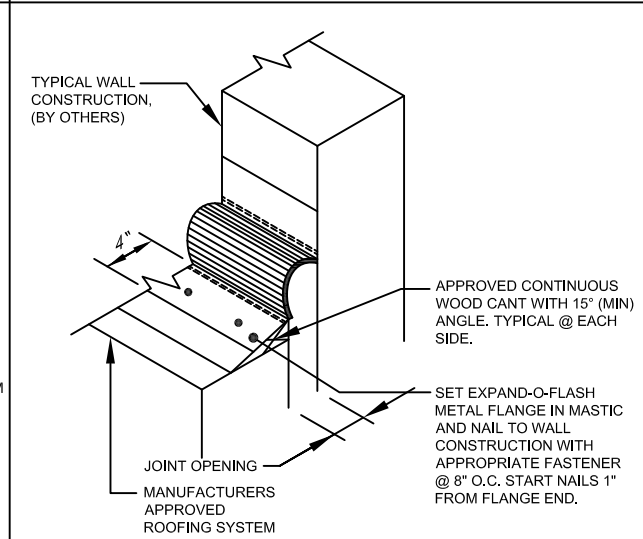
FOR ROLLED EXPAND-O-FLASH PRODUCTS; CUT SLOTS IN METAL FLANGES TO ALLOW EXPANSION. CUT SLOTS AT 25'-0" ON-CENTER FOR ALUMINUM, STAINLESS STEEL AND COPPER FLANGES; AT 50'-0" ON-CENTER FOR GALVANIZED FLANGES. PROVIDE FULL SPLICE AT EACH OF THESE LOCATIONS AS DESCRIBED IN THE EXPAND-O-FLASH SPlicing INSTALLATION INSTRUCTIONS ON THE REVERSE.

**STEP 2**



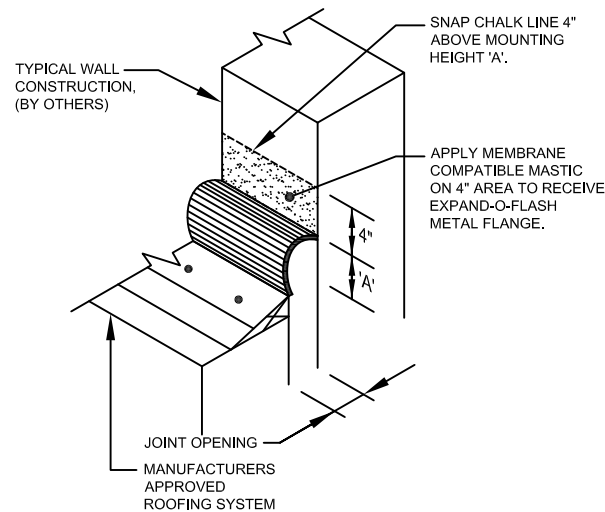
ON THE ROOF SIDE, SNAP A CHALK LINE 4" FROM FACE OF JOINT OPENINGS. APPLY MEMBRANE COMPATIBLE MASTIC ON 4" WIDE AREA OVER WOOD CANT TO RECEIVE EXPAND-O-FLASH METAL FLANGE.

**STEP 3**



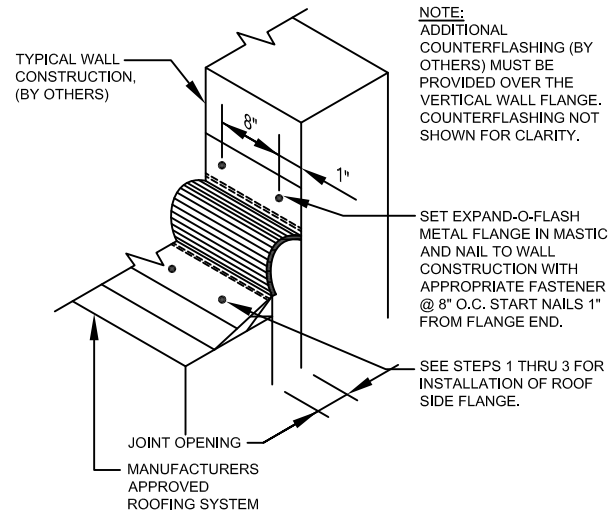
SET EXPAND-O-FLASH FLANGE IN MEMBRANE COMPATIBLE MASTIC AND NAIL TO WOOD CANT W/ (1) 1 3/4" ROOF NAIL @ 4" O.C. START NAILS 1" FROM FLANGE END.

**STEP 4**



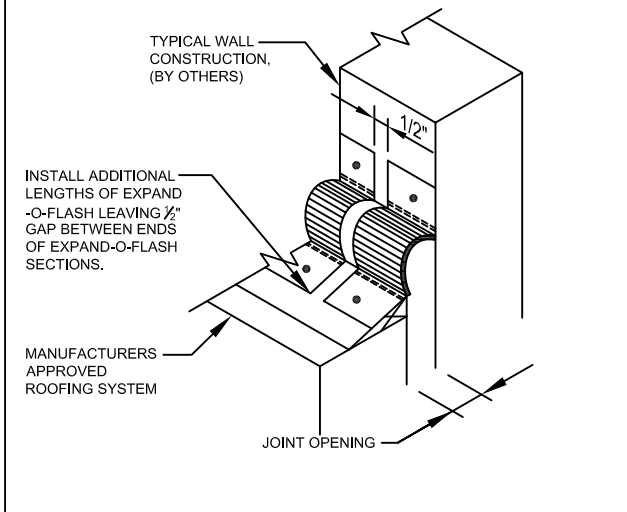
FOLD OVER WALL FLANGE TO GAIN ACCESS TO ATTACHMENT LOCATION. SNAP CHALK LINE 4" ABOVE MOUNTING HEIGHT 'A'. SEE MOUNTING HEIGHT 'A' CHART FOR CORRECT DIMENSION. APPLY MEMBRANE COMPATIBLE MASTIC ON 4" WIDE AREA TO RECEIVE EXPAND-O-FLASH METAL WALL FLANGE.

**STEP 5**



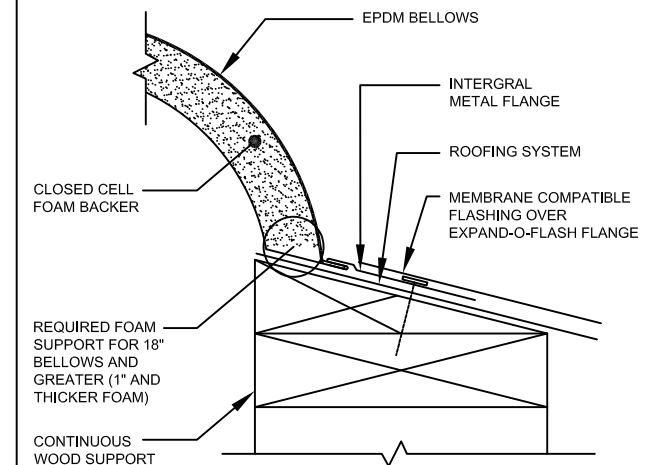
SET EXPAND-O-FLASH WALL FLANGE IN MEMBRANE COMPATIBLE MASTIC AND NAIL TO WALL CONSTRUCTION W/ (1) APPROPRIATE FASTENER @ 8" O.C. START FASTENERS 1" FROM FLANGE END.

**STEP 6**



REPEAT STEPS 1 THRU 5 FOR REMAINING SECTIONS OF EXPAND-O-FLASH BEING SURE TO PROVIDE 1/2" GAP BETWEEN ENDS OF EXPAND-O-FLASH SECTIONS. PROVIDE FULL SPLICE AT EACH OF THESE LOCATIONS AS DESCRIBED IN THE EXPAND-O-FLASH SPlicing INSTALLATION INSTRUCTIONS ON REVERSE.

**INSTALLATION ADDENDUM 'A'**



**INSTALLATION INSTRUCTION NOTES:**

- INSTALL ALL FACTORY FABRICATED INTERSECTIONS AND TRANSITIONS FIRST. FOLLOW THE APPROPRIATE STEPS INCLUDED IN THESE INSTALLATION INSTRUCTION FOR THESE ITEMS.
- LEAVE 1/2" GAP BETWEEN THE START OF STRAIGHT EXPAND-O-FLASH SECTION AND ALL INTERSECTIONS AND TRANSITIONS. FOR EXPAND-O-FLASH PRODUCT PROVIDED IN 50'-0" OR 100'-0" ROLLS; CUT SLOTS IN METAL FLANGES TO ALLOW FOR THERMAL APPROPRIATE EXPANSION. CUT SLOTS AT 25'-0" ON-CENTER FOR ALUMINUM, STAINLESS STEEL AND COPPER FLANGES; AT 50'-0" ON-CENTER FOR GALVANIZED FLANGES. PROVIDE FULL SPLICE AT THESE LOCATIONS AS DESCRIBED IN THESE INSTALLATION INSTRUCTIONS. DO NOT CUT BELLOWS MATERIAL WHILE PROVIDING EXPANSION SLOTS.
- THE BUILDING/ROOF SURFACES TO WHICH THE EXPAND-O-FLASH IS TO BE INSTALLED SHOULD BE SMOOTH, CLEAN AND FREE OF ANY DIRT AND DEBRIS.
- INSTALL EXPAND-O-FLASH WITH THE FOAM BACKER FACING THE INSIDE OF BUILDING. DO NOT EXPOSE FOAM TO WEATHER.
- SEE SPlicing INSTRUCTIONS ON REVERSE, FOR TYPICAL
- SEE INSTALLATION ADDENDUM 'A' ON PAGE 2 FOR BELLOWS SIZES 18" AND GREATER

DRAWING NO. <b>INST-EOF-EJ-RW</b>	SCALE NTS	ISSUE DATE 5/14/12	REV. NO. #3 ON 09/10/18
<b>PAGE 2</b>	CAD FILE: EOF INSTALL INSTRUCTIONS.DWG		

**EXPAND-O-FLASH (STYLE EJ; ROOF TO WALL) INSTALLATION INSTRUCTIONS**

Johns Manville is a Manufacturer of commercial roofing products and offers this general conceptual information to you as a courtesy. This complimentary assistance is not to be used or relied upon by anyone as a substitute for professional engineering design and documentation required by building code, contract, or applicable law. By accepting these comments you agree they do not constitute any representations, endorsements of, or an assumption by Johns Manville of any liability for either the adequacy of the design of this building or any other material not supplied by Johns Manville.

